

SAVE THESE INSTRUCTIONS

DEALER/INSTALLER: GIVE TO HOMEOWNER

MODEL #6100

INPOOL LADDER 42" TO 54"

ASSEMBLY AND INSTRUCTION MANUAL



The Anti-Entrapment Barrier is included in this ladder for the U.S. and Canada only, as required by ANSI/APSP requirements. The Anti-Entrapment Barrier is NOT intended as a substitute for competent adult supervision. If you would like to purchase the barrier, please visit our website at: www.conferladders.com



MADE IN THE U.S.A. by:

CONFER
plastics inc.

Model #6100 Inpool Ladder

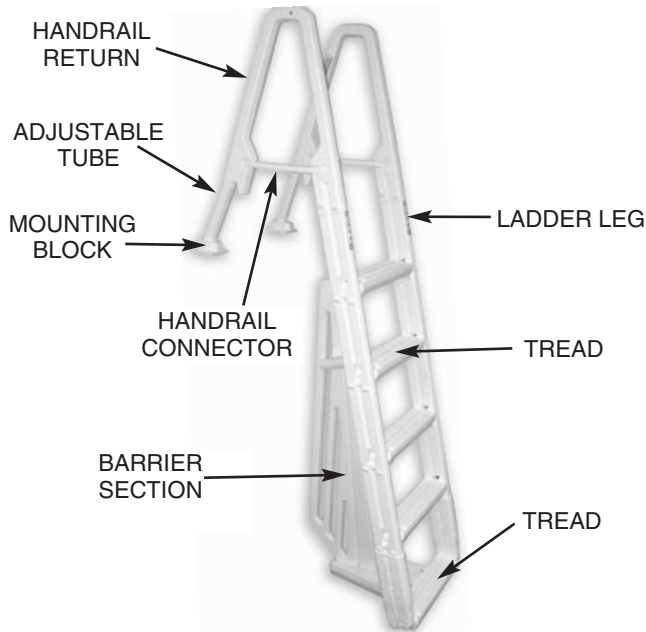
ASSEMBLY INSTRUCTIONS - PLEASE READ BEFORE ATTEMPTING ASSEMBLY

Parts List

- 2 - Ladder Legs with extension boot attached
- 2 - Handrail Returns
- 5 - Treads

Hardware Pack

- 14 - #10 x 1-1/4" screws
- 2 - Plugs (white) #277
- 2 - 1/4 - 20 x 2" Bolts
- 2 - 1/4 - 20 Acorn Nuts
- 2 - Adjustable tubes
- 2 - Handrail Connectors
- 2 - Mounting Blocks



Tools Needed for Assembly

- * - Mallet or hammer
- * - Phillips screwdriver
- * - Adjustable wrench
- * - Liquid soap or lubricant
- * - Cordless drill
- * - Drill bits

Barrier Parts List (if included)

(Included in Hardware Pack)

- 4 - #10 x 1-1/4" screws
- 1 - Strip of 4 Foam Pads
- 1 - Large Barrier Section
- 1 - Small Barrier Section
- 1 - Upper Brace
- 1 - Lower Base

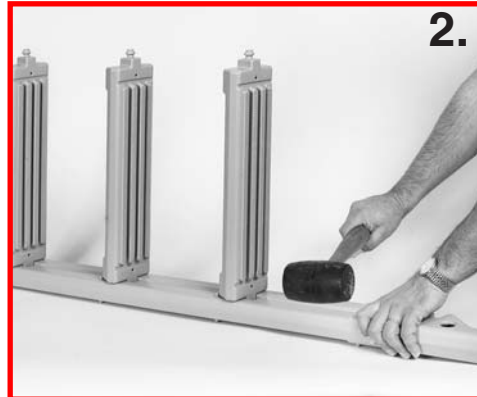
If missing parts call - Toll free U.S. - 866-396-2968 or www.conferladders.com

NOTE: This ladder fits deck heights of 42" to 54".



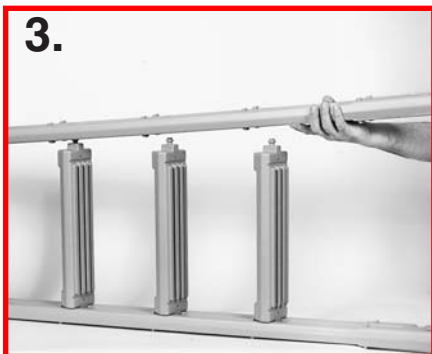
1.

Push the end of one of the treads into one of the keyhole slots of the ladder leg. It may be necessary to tap the tread into the slot using a mallet or hammer.



2.

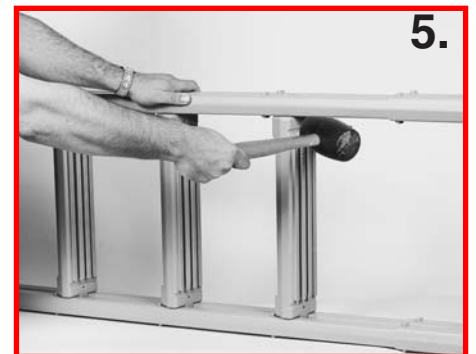
Tap the tread downward so that it seats fully into the bottom of the keyhole slot. Repeat above procedures using three more treads. Do not attach the bottom tread at this time.



3.



4.



5.

Attach one of the ladder legs to the opposite ends of the four treads making sure that the curved upper ends are both facing in the same direction. Tap the treads into place making sure that they are fully seated into the keyhole slots.



The Extension boot (already attached) can be adjusted to fit different size deck heights.

- For 48": Take boots off completely.
- For 52": Boots stay on (boots current status)
- For 54": Boots backed off one hole.

Apply a small amount of lubricant if you have difficulties adjusting your extension boots.



Using two (2) #10 x 2" bolts and two (2) acorn nuts, fasten the extension boots to the ladder legs.



Attach the remaining tread to the bottom of ladder as shown.



Completed ladder section.



Lay the ladder section down as shown and tap the two handrail connectors into the slots with the warning labels facing up.



Connect the two handrail returns to the handrail connectors.



Connect the handrail return to the ladder leg and fasten with a #10 x 1-1/4" screw. Repeat for the other handrail return.



Coat the adjustable tubes with a small amount of liquid soap or lubricant and slide the tube up through the mounting block as shown.

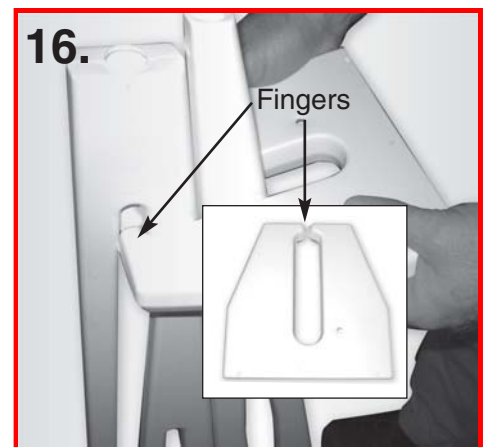
If Ladder did not include Barrier, skip steps 15 through 17. Continue to step 18.



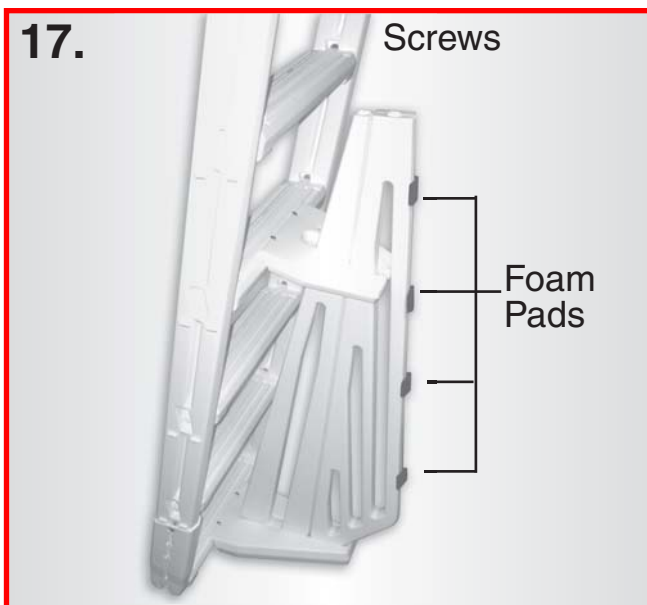
14. Slide the assembled tube/block assembly up into the open end of the handrail return as shown.



15. Snap Small and Large Barrier Sections into slots on Lower Base as shown.



16. Separate Barrier sections at the top slightly and position Upper Brace over Small Barrier Section. Next, spread the "fingers" on the Upper Brace and slide into position on the Large Barrier Section.



17. Place the Base and Brace into position, centered, on the bottom and fourth treads of the ladder. Install the four (4) #10 x 1-1/4" screws (included in hardware pack) on a slight angle, first in the Upper brace, then in the Lower Base. Install the self-adhering foam strips to the Large Barrier Section as shown in diagram.

18.

Fill the ladder legs with water through the top fill holes and cover the holes with the plastic plugs. Place the ladder into the pool, submerge the treads, and tip it sideways so that the treads fill with water. Position the ladders at the desired location on the deck, making sure that the bottom tread is resting on the floor of the pool. Slide the adjustable tubes in or out as required so that they are resting on the deck surface, and the handrail connectors are level. Fasten the mounting blocks to the deck surface with eight (8) #10 x 1-1/4" screws. Secure the adjustable tubes to the handrail returns, at the pre-marked locations, with four (4) #10 x 1-1/4" screws.

NOTE: Ladder **MUST** be filled with water to prevent floating.

Winterizing: To winterize your ladder unfasten the ladder from the deck and pull the ladder from the pool. Remove the two plugs and lay the ladder on its side to allow the majority of the water to drain out of it. A small amount of water left in the ladder *will not* cause any damage. Replace the plugs into the fill holes so that they do not get lost. The ladder may be left outside.

IMPORTANT FOR YOUR SAFETY

- * Check the contents of the carton with the Parts list for this ladder.
- * If any parts are missing call Toll Free U.S. - 866-396-2968 or visit our web site at www.conferladders.com
- * **DO NOT** attempt to assemble or install the ladder if there are **ANY** shortages of parts or hardware.
- * For proper assembly and installation follow all instructions in the sequence shown.
- * Before using the product, after assembly and installation, go over the instructions and procedures again to make sure nothing has been overlooked.
- * Be sure and safe. The manufacturer **IS NOT** responsible for improper assembly, installation and use.

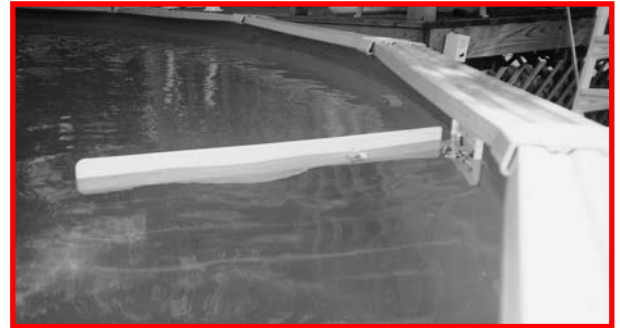
SAFETY RULES

- * One person on the ladder at a time
- * Ladder **MUST** be installed per manufacturer's instructions
- * **DANGER:** No Jumping or Diving from ladder
- * Face ladder when entering and leaving pool
- * To prevent entrapment or drowning — **DO NOT** swim through, behind or around ladder
- * Ladder to be used as a swimming pool ladder only.
- * Weight limit - **300 lbs maximum**
- * **Warning:** Exceeding the maximum weight restriction may cause the ladder to fail.
- * Consult your local Building Department before installation of your pool and equipment.
- * **DANGER:** *Use a cordless drill for assembly and installation
Never use an electric drill in or around the pool.*

ADDITIONAL ACCESSORIES MAY BE PURCHASED

6100 Extension Kit (Part # 6100-EXT) - Raises ladder to reach deck heights from 55" to approximately 66". Kit includes two extension boots, one additional ladder tread, hardware and instructions.

SKIM-IT (SKIMS OFF DEBRIS) - Cut cleaning time 75% with skimmer extension that guides debris directly into your skimmer. Fits most in-ground and above-ground pool skimmers. Corrosion-resistant plastic Skim-It installs in seconds without tools.



Order online at www.conferladders.com

CONFER PLASTICS, INC. LIMITED, PRO-RATED WARRANTY

Confer Plastics, Inc. warrants their swimming pool ladders to be free from defects in workmanship for one year from date of purchase. After the first year the cost to replace a part is as follows:

MODEL #6100

2nd Year - 20%

3rd Year - 40%

4th Year - 60%

5th Year - 80%

Plus shipping/handling

} of current parts
list price

DO NOT RETURN DEFECTIVE PART TO DEALER

The defective part should be returned, postpaid, to:

Confer Plastics, Inc.

97 Witmer Road

North Tonawanda, N.Y. 14120-2421

Enclose proof-of-purchase (receipts, etc.) showing date purchased, your name, address, and daytime phone number. You will be notified of cost to replace part.

This warranty gives you specific legal rights, and you may also have other rights which may vary from state to state.

MADE IN THE U.S.A. by:



CONFER
plastics inc.

97 Witmer Road

North Tonawanda, New York 14120-2421

Toll Free U.S. 866-396-2968

716-283-1826/ FAX 716-283-3249

www.conferladders.com