

⚠️ WARNING

To reduce the risk of drowning, entrapment, falls, paralysis, electrocution, or other serious injury or death:

Dealer/Installer: Give manual to homeowner.

Installer: Read "Safe Installation" below and all instructions before beginning. For proper assembly and installation, instructions must be followed completely.

Homeowner: Read "Safe Use" on back cover before using. Save these instructions.

Installation must comply with local codes and may require permits.

MODEL CK7100-X Conversion Kit

USE CK7100-X CONVERSION KIT TO CONVERT 7100X A-FRAME LADDER TO INPOOL LADDER

ASSEMBLY, INSTRUCTION AND USE MANUAL

Parts List

2 - Adjustable Tube Handrails
2 - Mounting Block

2 - Adjustable Tubes

Hardware Pack

14 - #10 x 1-1/4" screw

Safe Installation

⚠️ WARNING

To reduce the risk of electrocution, drowning, entrapment, falls, or other serious injury or death:

Check building codes/permitting. Consult your local Building Department before installation of your pool and equipment. Pool/equipment installation must comply with the codes of the authority having jurisdiction and may require permits (e.g., building, plumbing, electrical, zoning, etc.). Be sure that barriers (fences, gates, etc.) restricting pool access meet local codes.

Use for intended purpose only

- Use only as conversion kit for ladder.
- When converted, this ladder is designed and manufactured for a specific pool wall height and/or deck of the pool - check product specification and the height of your pool.

Check that you have all required parts. Check the contents of the carton with the Parts List for this ladder.

All parts and hardware are required. If any parts are missing, **DO NOT attempt to assemble or install the ladder.** Instead, call Toll Free U.S. - 800-635-3213 or visit our web site at www.conferplastics.com for assistance.

Select an appropriate location - The ladder must be located on a level, solid base and in a location that will be in full view of competent adult supervision when in use.

Follow all instructions

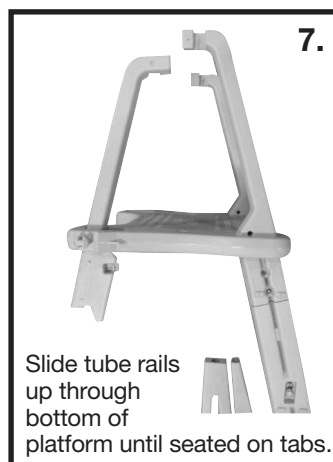
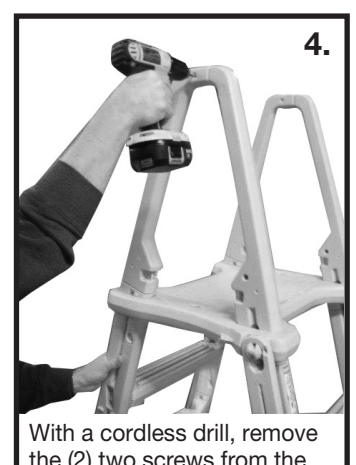
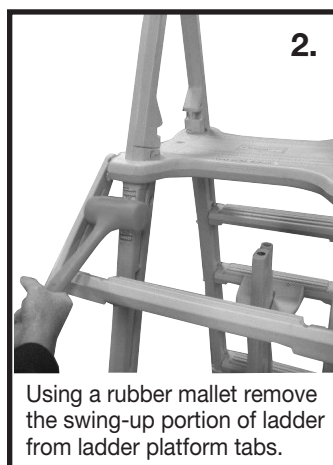
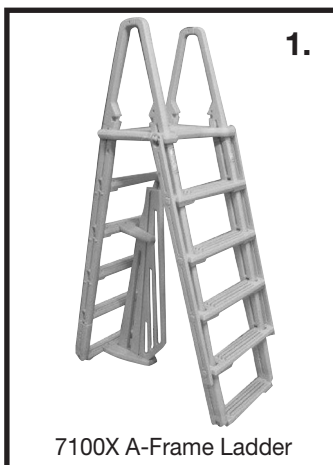
- For stable, correct assembly and installation, all instructions must be followed completely and in the sequence shown.
- Follow the manufacturer's recommendations for the safe use of all hand tools and equipment used during installation.

Cordless drill only - no corded drills near pool. Use a cordless drill for assembly and installation. To reduce the risk of electrocution, NEVER use a corded drill in or around a pool.

Lift safely. When lifting awkward or heavy loads, have another person help you.

Double check after installation

- Before using the product, after assembly and installation, go over the instructions and procedures again to make sure nothing has been overlooked.
- Make sure that safety labels are installed and legible.



WARNING! Using a corded drill near pool may result in electrocution.



Proudly Made in U.S.A. by

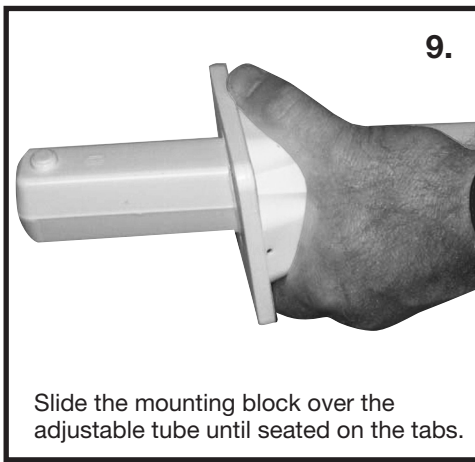
CONFER
plastics inc.®



8.

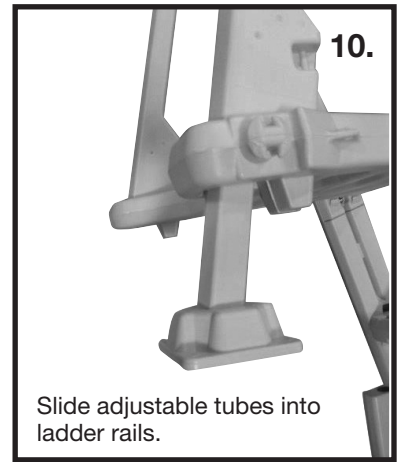
WARNING!
Using a
corded drill
near pool
may result in
electrocution.

With a cordless drill, re-install the (2) two hand rail screws.



9.

Slide the mounting block over the adjustable tube until seated on the tabs.



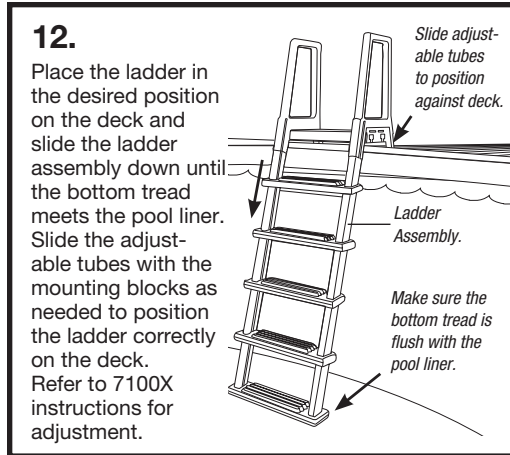
10.

Slide adjustable tubes into ladder rails.



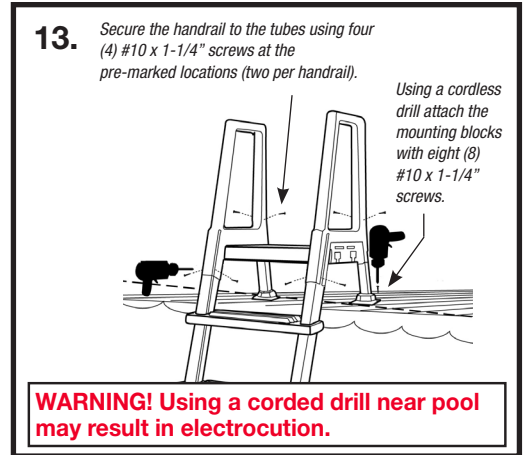
11.

Complete
In Pool Ladder.



12.

Place the ladder in the desired position on the deck and slide the ladder assembly down until the bottom tread meets the pool liner. Slide the adjustable tubes with the mounting blocks as needed to position the ladder correctly on the deck. Refer to 7100X instructions for adjustment.



13.

Secure the handrail to the tubes using four (4) #10 x 1-1/4" screws at the pre-marked locations (two per handrail).

Using a cordless drill attach the mounting blocks with eight (8) #10 x 1-1/4" screws.

WARNING! Using a corded drill near pool may result in electrocution.

Safe Use

⚠ WARNING

To reduce the risk of drowning, entrapment, falls, paralysis, or other serious injury or death:

Use ladder properly.

- **No diving or jumping from ladder** - shallow water; risk of paralysis or death.
- FOR ENTRY/EXIT OF POOL, FACE THE LADDER AT ALL TIMES.
- ONE PERSON ON THE LADDER/STAIR AT A TIME.
- To reduce the risk of entrapment or drowning, DO NOT swim through, behind or around ladder.
- Illuminate the ladder when using the pool at night.

Weight limit - 300 lbs maximum. Exceeding maximum weight may cause the ladder to fail.

Secure ladder when not in use.

Watch children at all times when they are in or around water to help prevent drowning.

BE SURE AND SAFE. The manufacturer **IS NOT** responsible for improper assembly Installation and use.

WINTERIZING: Unfasten the ladder from adjustable tubes and remove from the water. Remove the plugs and lay ladder on its side to drain. It will take several minutes for the water to drain out of the ladder rails and treads. A small amount of water left in ladder will not cause any damage. Replace the plugs so they won't get lost. To reinstall, see Step #12.

CONFER PLASTICS INC.® FIVE YEAR WARRANTY

Confer Plastics Inc.® warrants their swimming pool ladders and steps to be free from defects in workmanship for five years from date of purchase.

DO NOT RETURN DEFECTIVE PART TO DEALER

E-MAIL CONFER PLASTICS AT: CUSTOMERSERVICE@CONFERPLASTICS.COM

A PICTURE [S] OF DEFECTIVE PART, A BRIEF DESCRIPTION OF PROBLEM,
PROOF OF PURCHASE AND YOUR CONTACT INFORMATION.

INFORMATION MAY ALSO BE FAXED TO CONFER PLASTICS AT: 716-694-3102

OR MAILED TO THE ADDRESS BELOW. UPON REVIEW OF THE INFORMATION YOU

WILL BE NOTIFIED IF PART IS COVERED UNDER THE WARRANTY AND

THE SHIPPING/HANDLING CHARGES.

This warranty gives you specific legal rights, and you may also have other rights which may vary from state to state.

Confer Plastics Inc.®, 97 Witmer Road, North Tonawanda, N.Y. 14120-2421

MADE IN THE USA BY:



CONFER
plastics inc.®

Printed in USA

97 Witmer Road

North Tonawanda, New York 14120-2421

Toll Free U.S. 800-635-3213

FAX 716-694-3102

www.conferplastics.com

CP-CK7100-X CON KIT 12/24