

⚠ WARNING

To reduce the risk of drowning, entrapment, falls, paralysis, electrocution, or other serious injury or death:

Dealer/Installer: Give manual to homeowner.

Installer: Read "**Safe Installation**" on page # 2 and all instructions before beginning. For proper assembly and installation, instructions must be followed completely.

Homeowner: Read "**Safe Use**" on back cover before using. Save these instructions.

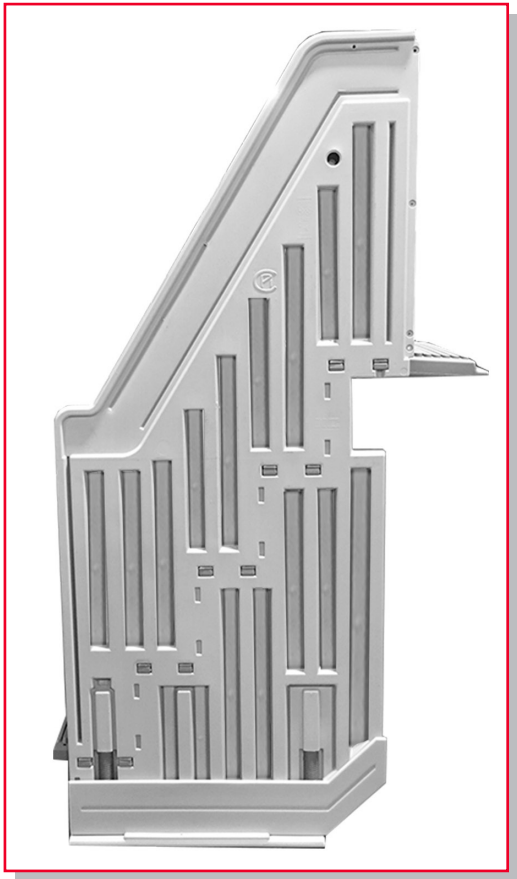
Installation must comply with local codes and may require permits.

POOL ENTRY SYSTEM ADJUSTS TO FIT 48" TO 54" POOLS AND DECKS

ASSEMBLY, INSTALLATION and USE MANUAL

Assembly video available online: www.conferplastics.com

WEIGHT LIMIT 400 LBS.



SINGLE UNIT Model# PES-1X



TWO UNITS WITH GATE Model# PES-DBL-X



Proudly Made in U.S.A by

CONFER
plastics inc.[®]

97 Witmer Road

North Tonawanda, New York 14120-2421

Toll Free U.S. 800-635-3213 • FAX 716-694-3100

www.conferplastics.com



Safe Installation

⚠️ WARNING

To reduce the risk of electrocution, drowning, entrapment, falls, or other serious injury or death:

Check building codes/permitting. Consult your local Building Department before installation of your pool and equipment. Pool/equipment installation must comply with the codes of the authority having jurisdiction and may require permits (e.g., building, plumbing, electrical, zoning, etc.).

Use for intended purpose only

- Use only as a swimming pool stairs.
- This stair is designed and manufactured for a specific pool wall height and/or deck of the pool - check product specification and the height of your pool.

Check that you have all required parts. Check the contents of the carton with the Parts List for this stair. All parts and hardware are required. If any parts are missing, **DO NOT attempt to assemble or install the stair.** Instead, call Toll Free U.S. - 800-635-3213 or visit our web site at www.conferplastics.com for assistance.

Select an appropriate location - The stair must be located on a level, solid base and in a location that will be in full view of competent adult supervision when in use.

Follow all instructions

- For stable, correct assembly and installation, all instructions must be followed completely and in the sequence shown.
- Follow the manufacturer's recommendations for the safe use of all hand tools and equipment used during installation.

Cordless drill only - no corded drills near pool. Use a cordless drill for assembly and installation. To reduce the risk of electrocution, NEVER use a corded drill in or around a pool.

Lift safely. When lifting awkward or heavy loads, have another person help you.

Double check after installation

- Before using the product, after assembly and installation, go over the instructions and procedures again to make sure nothing has been overlooked.
- Make sure that safety labels are installed and legible.

Assembly Instructions

CONFER PLASTICS, INC. POOL ENTRY SYSTEM FOR ABOVE-GROUND POOLS Adjusts to fit most above-ground pools with flat or slightly dished bottoms

Parts List

- 2 - Side Panels [part A]
- 2 - Anti-Entrapment Panel [part G]
- 4 - Threaded Height Adjuster [part H] (Factory Installed)
- 5 - Step w/4 wedges [part B]
- 4 - Riser [part C]
- 1 - Kickplate [part D]
- 1 - Deck Connector [part E]
- 2 - Base [part F]

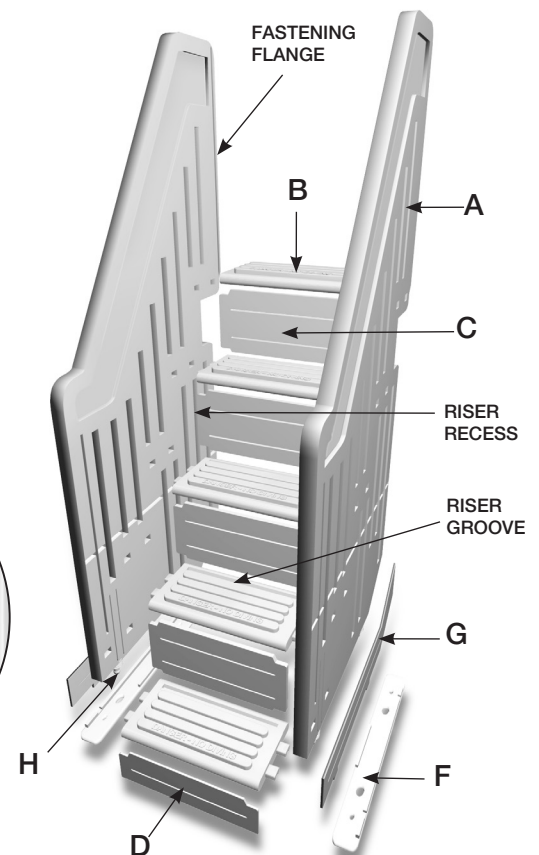
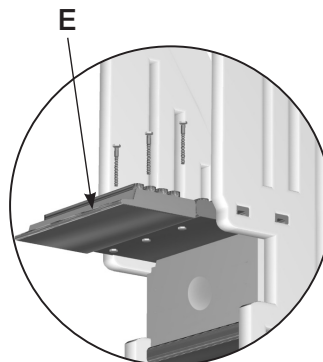
Hardware Pack

- 3 - 1/4 - 20 Hex Nut
- 3 - 1/4 - 20 X 1" Screw
- 3 - #10 x 1-1/4" Self Tapping Screw
- 2 - Large Plug/Side Panels
- 1 - Label for Top Riser
- 2 - Threaded Cap
- 2 - Red Plug
- 1 - Instructions

SECOND PERSON TO ASSIST

Tools Needed For Assembly

- Mallet
- Phillips Screwdriver
- Cordless Drill
- 1/8" Drill Bit
- Level
- Hacksaw
- Knife
- Tape Measure



Step 1.

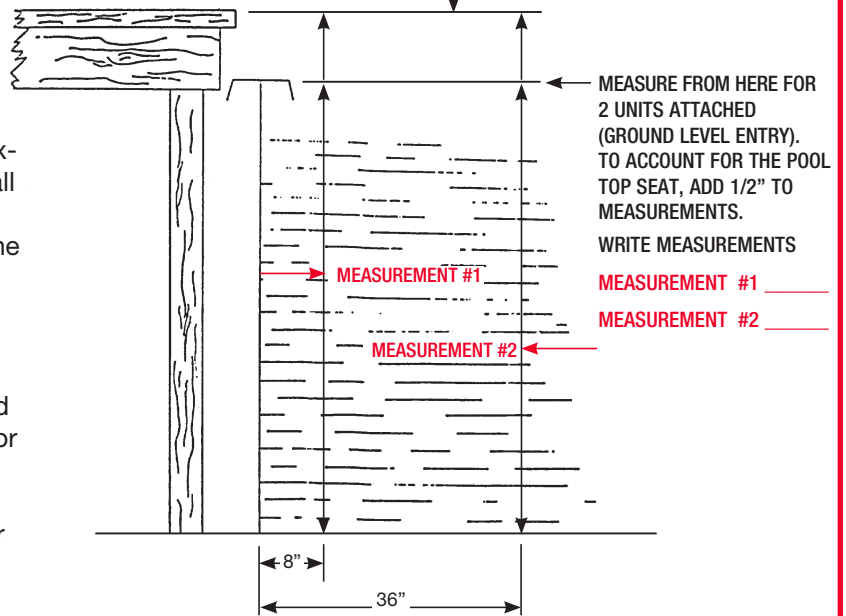
1. Measure the Depth of Your Pool.

A) For Deck Level Pool Entry (one (1) unit attached to a deck), measure from the top of the deck to the bottom of the pool approximately eight (8) inches out from the pool wall (Measurement #1). Take a second measurement approximately three (3) feet out from the pool wall (Measurement #2).

B) For Ground Level Pool Entry (two (2) units attached to each other), take the measurements from the top of the pool top seat. Add one-half (1/2) inch to these measurements for clearance.

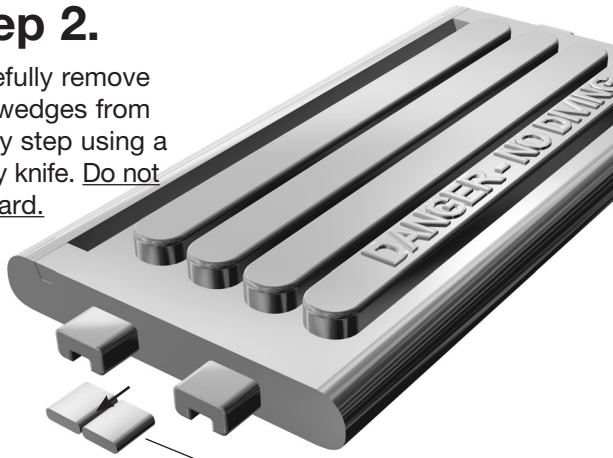
*Whether you use method "A" or "B", write your measurements for future reference.

FOR DECK ATTACHMENT, MEASURE FROM HERE.



Step 2.

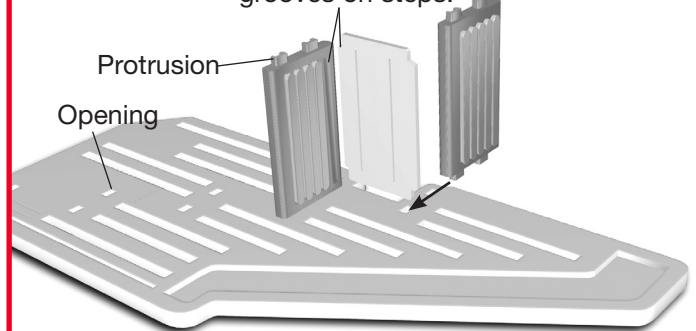
Carefully remove the wedges from every step using a utility knife. Do not discard.



Remove Wedges and SAVE. They will be needed in step 7

Step 3.

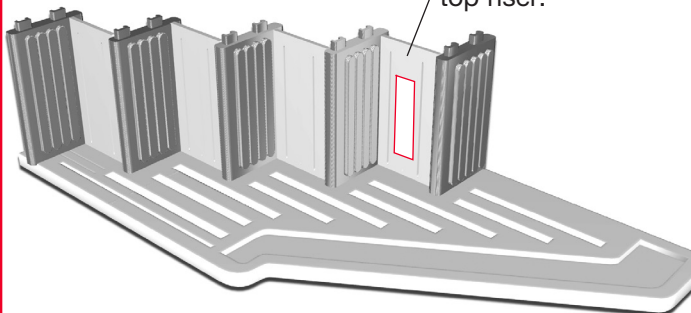
The risers slip into grooves on steps.



Lay the side panel on a clean flat surface. Firmly push the protrusion of the steps into the opening of the handrail section. Insert the risers into the grooves on the steps as shown above. **Note: position risers so center hole faces "back" of steps.**

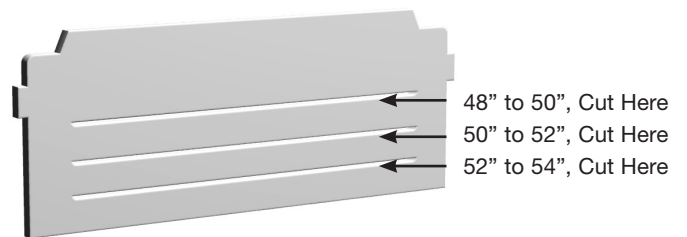
Step 4.

Affix the warning label to center of top riser.



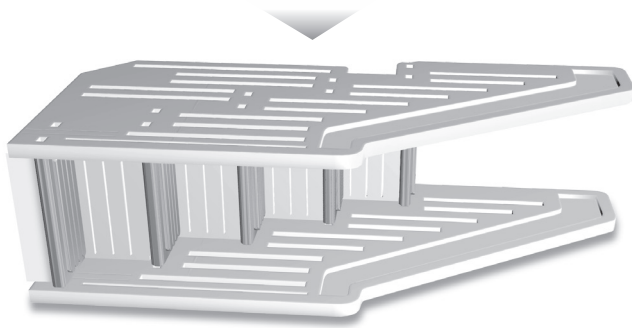
Continue adding steps and risers until all are firmly in position.

Step 5.



After determining the correct height from measurement #2 in step 1, cut the kickplate to the appropriate height. Use a hacksaw to cut the ends (next to the pre-scored line) and a knife to separate the kickplate at the pre-scored line. Place the kickplate in position below the bottom step.

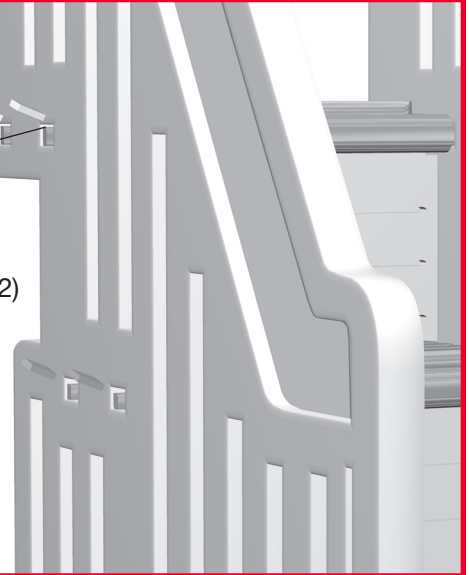
Step 6. Push down firmly



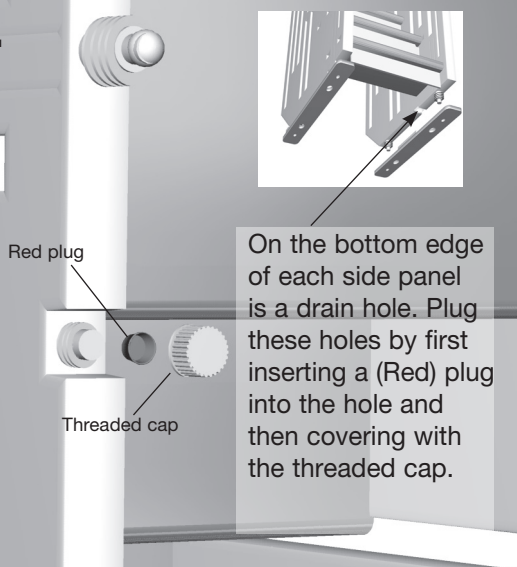
Push the second side panel firmly down on the step protrusions. It may be necessary to tap the side panel using a hammer and block of wood until seated correctly.

Step 7.

Secure each step by tapping a locking wedge (saved from Step 2) between the side panel and the top surface of the step protrusions.



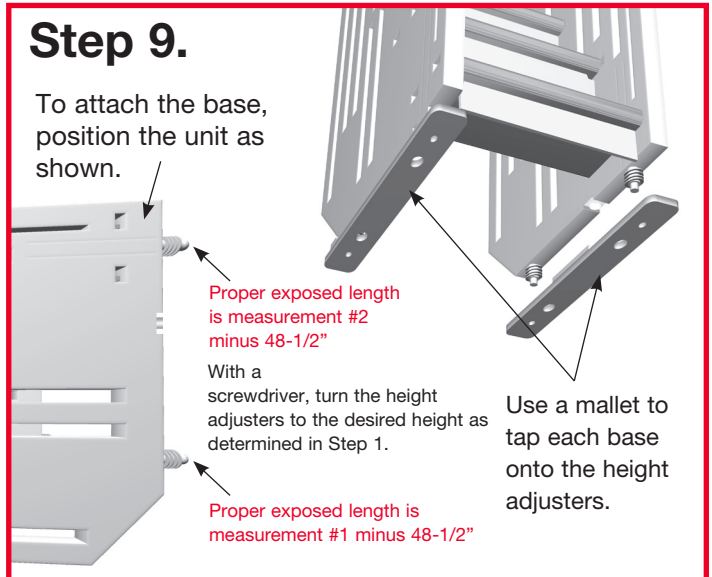
Step 8.



On the bottom edge of each side panel is a drain hole. Plug these holes by first inserting a (Red) plug into the hole and then covering with the threaded cap.

Step 9.

To attach the base, position the unit as shown.



Proper exposed length is measurement #2 minus 48-1/2"

With a screwdriver, turn the height adjusters to the desired height as determined in Step 1.

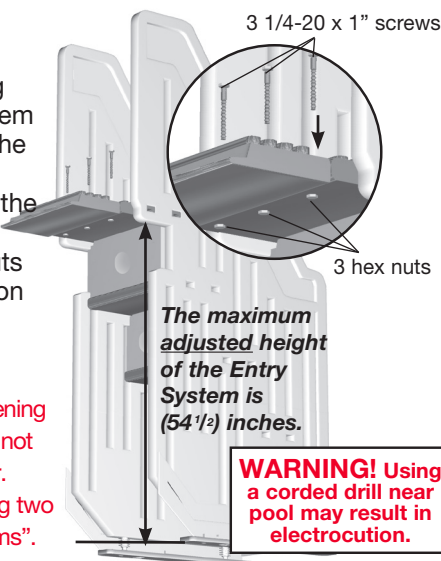
Proper exposed length is measurement #1 minus 48-1/2"

Use a mallet to tap each base onto the height adjusters.

Step 10.

If you are fastening the pool entry system to a deck: Attach the deck connector to the top step using the three (3) 1/4-20x1" screws and hex nuts (nuts are installed on underside of deck connector).

NOTE: If you are fastening two units together, do not attach deck connector. Skip to Page 5 "Joining two PES Pool Entry Systems".



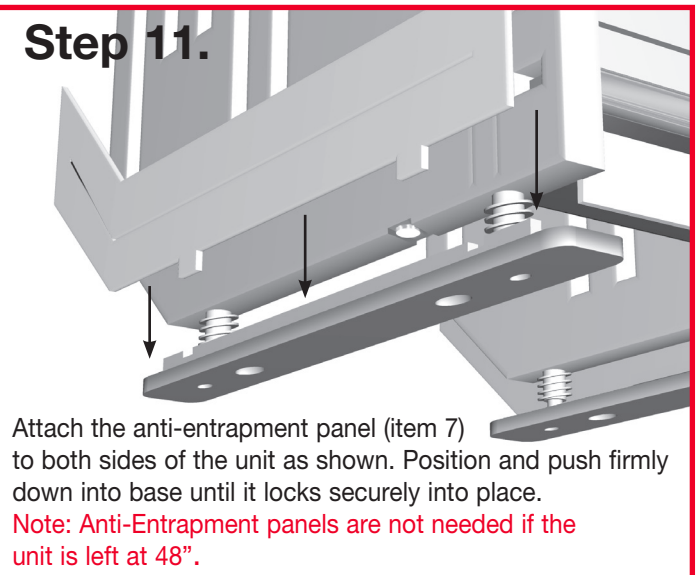
3 1/4-20 x 1" screws

3 hex nuts

The maximum adjusted height of the Entry System is (54 1/2) inches.

WARNING! Using a corded drill near pool may result in electrocution.

Step 11.



Attach the anti-entrapment panel (item 7) to both sides of the unit as shown. Position and push firmly down into base until it locks securely into place.

Note: Anti-Entrapment panels are not needed if the unit is left at 48".

Step 12.

Note: Two people are required for this operation

Water fill openings on both side panels.

To prevent algae, add a cup of household bleach (optional).

Carefully submerge the unit into the pool. Add water to the side panels through the water fill openings located near the top of each side panel. When completely filled, press the supplied (large white) plugs into the openings on both side panels.

WARNING! Pool step will be heavy. Have additional help. Do not attempt to place the step by yourself.

Step 13.

Tilt the unit to allow the steps to fill with water. When bubbling ceases, steps are filled. Steps must be filled completely to prevent floating.

Step 14.

Attach with 3 #10 x 1-1/4" Self Tapping Screws

WARNING! Using a corded drill near pool may result in electrocution.

Position the PES with attached deck connector and with a cordless drill, drill three pilot holes. Attach to deck using 3 #10 x 1-1/4" Self Tapping Screws. Keep 2" clearance between unit and pool wall.

Joining two Pool Entry Systems.



When joining two units together, the deck connectors will not be used. Assemble both units and position the in-pool unit in the desired location, after filling it in the same manner as step #12.

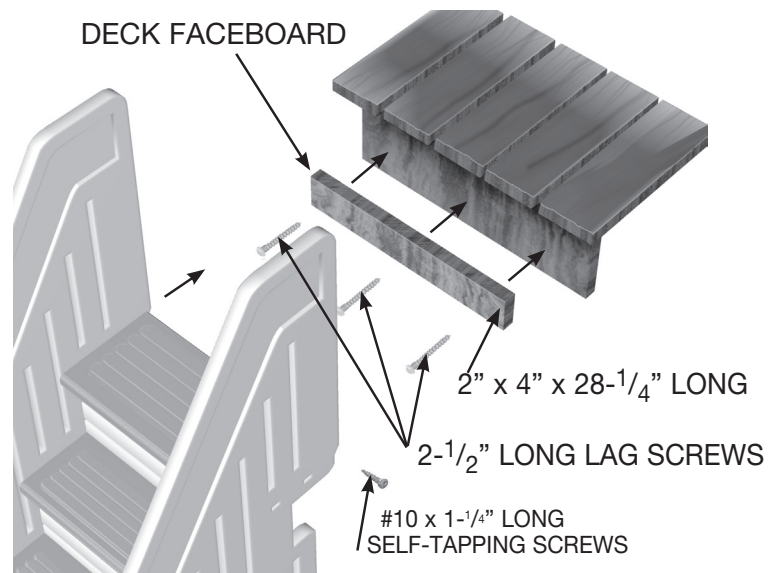
WARNING! Verify that your chosen location will be in full view of competent adult supervision when in use.

Allow approximately two (2) inches of clearance between the side of the pool (pool liner) and the Entry System. Make any necessary height adjustments to ensure that all four (4) threaded adjustors are supporting the unit, that the unit is level and does not wobble, and that the underside of the top step is about (1/2) inch above the pool top seat. The outside unit should rest on cement patio blocks. Position and level the outside unit so that both units can be joined using the six (6) 1/4-20 x 1" machine screws and hex nuts. The hex nuts should be on the outside of the fastening flange of the side panels (See diagram on pg 2). Press the large plugs into the fill opening of the outside unit. It is not necessary to fill the outside unit with water.

Note: Gate instructions and hardware are supplied with the gate.

Optional mounting method when deck height is greater than (54-1/2) inches.

Adjust the height of the entry system so that the top step, at minimum, reaches the face board of the deck, however, the height of the bottom surface of the top step must not exceed (54-1/2) inches. Cut a piece of 2 x 4 pressure treated lumber (28-1/4" long) and place it edge down on the top step between the two flanges of the side panels. Secure in place with four #10 x 1-1/4" screws (not provided) through the two lower holes in each of the mounting flanges of the side panel. After securing the 2 x 4 to the unit, position the unit so that the 2 x 4 meets the face board of the deck. It can then be secured in place using wood lag screws. Three 2-1/2" long lag screws are required (Lag screws not provided).



Removal and storage of Pool Entry System:

In cold climates the Entry System must be removed from the pool and drained to prevent freezing and cracking.

WARNING! Pool step will be heavy and must be lifted from within the pool. Have additional help when removing from swimming pool. Do not attempt to remove by yourself.

To remove the unit disconnect it from the deck (or the outside unit), pull large plugs and tip it so that some of the water drains from the large fill openings. Once the unit is lighter it will become buoyant so that it can be turned onto its side and the bottom drain caps and plugs can be removed. With the unit on its side, slowly pull the Entry System from the water allowing the water to drain out of the unit. Once the unit is out of the pool be sure that all the water drains out. If desired the unit can be disassembled for winter storage. Use a flat blade screwdriver to remove the locking wedges and carefully pull the side panels away from the steps. **(Be sure to save all caps and locking wedges for reassembly).**

To reinstall, follow installation instructions steps 10-12.

Safe Use



WARNING

To reduce the risk of drowning, entrapment, falls, paralysis, electrocution, or other serious injury or death:

Use step system properly.

- No diving or jumping from steps - shallow water; risk of paralysis or death.
- ONE PERSON ON THE LADDER/STAIR AT A TIME.
- Illuminate the steps when using the pool at night.

Weight limit - 400 lbs maximum. Exceeding maximum weight may cause the stairs to fail.

Secure stairs when not in use. When pool is not in use, make sure gate is closed and locked.

Watch children at all times when they are in or around water to help prevent drowning.

CONFER PLASTICS INC.® FIVE YEAR WARRANTY

Confer Plastics Inc.® warrants their swimming pool ladders and spa products to be free from defects in workmanship for five years from date of purchase.

DO NOT RETURN DEFECTIVE PART TO DEALER

E-MAIL CONFER PLASTICS AT: **CUSTOMERSERVICE@CONFERPLASTICS.COM**

A PICTURE [S] OF DEFECTIVE PART, A BRIEF DESCRIPTION OF PROBLEM,
PROOF OF PURCHASE AND YOUR CONTACT INFORMATION.

INFORMATION MAY ALSO BE FAXED TO CONFER PLASTICS AT: **716-694-3102**
OR MAILED TO THE ADDRESS BELOW. UPON REVIEW OF THE INFORMATION YOU
WILL BE NOTIFIED IF PART IS COVERED UNDER THE WARRANTY AND
THE SHIPPING/HANDLING CHARGES.

This warranty gives you specific legal rights, and you may also have other rights which may vary from state to state.

Confer Plastics Inc.®

97 Witmer Road, North Tonawanda, N.Y. 14120-2421

MADE IN THE USA



CONFER
plastics inc.®

97 Witmer Road
North Tonawanda, New York 14120-2421
Toll Free U.S. 800-635-3213
FAX 716-694-3102
www.conferplastics.com