

⚠️ WARNING

To reduce the risk of drowning, falls, paralysis, electrocution, or other serious injury or death:

Dealer/Installer: Give manual to homeowner.

Installer: Read “Safe Installation” on p. 2 and all instructions before beginning. For proper assembly and installation, instructions must be followed completely.

Homeowner: Read “Safe Use” in the instructions for the system. Save these instructions. Installation must comply with local codes and may require permits.

SIGNATURE SPA STEP

AVAILABLE IN 3 & 4 TREAD

By Confer Plastics®

WEIGHT LIMIT 300 LBS.

ASSEMBLY, INSTALLATION AND USE MANUAL

Assembly video available online: www.conferplastics.com



Made in U.S.A. by

CONFER
plastics inc.®
www.conferplastics.com

SIGNATURE SPA STEP

AVAILABLE IN 3 & 4 TREAD

If missing parts, call - Toll free U.S./Canada - 800-635-3213 or www.conferplastics.com

36" 3 Step

CARTON #1 CONTAINS:

- 3 - 36" Steps
- 7 - 36" x 3" supports

CARTON #2 CONTAINS:

- 2 - Sidewalls (3 step)
- 2 - Handrails
- 4 - Handrail Posts
- 2 - Cup Holder / Towel Rack

1 - **Hardware Bag:**

- 2 - Plugs
- 1 - Foam Strip (4 pads/strip)
- 4 - #10 x 1-1/4" Screws
- 1 - Set of Instructions

36" 4 Step

CARTON #1 CONTAINS:

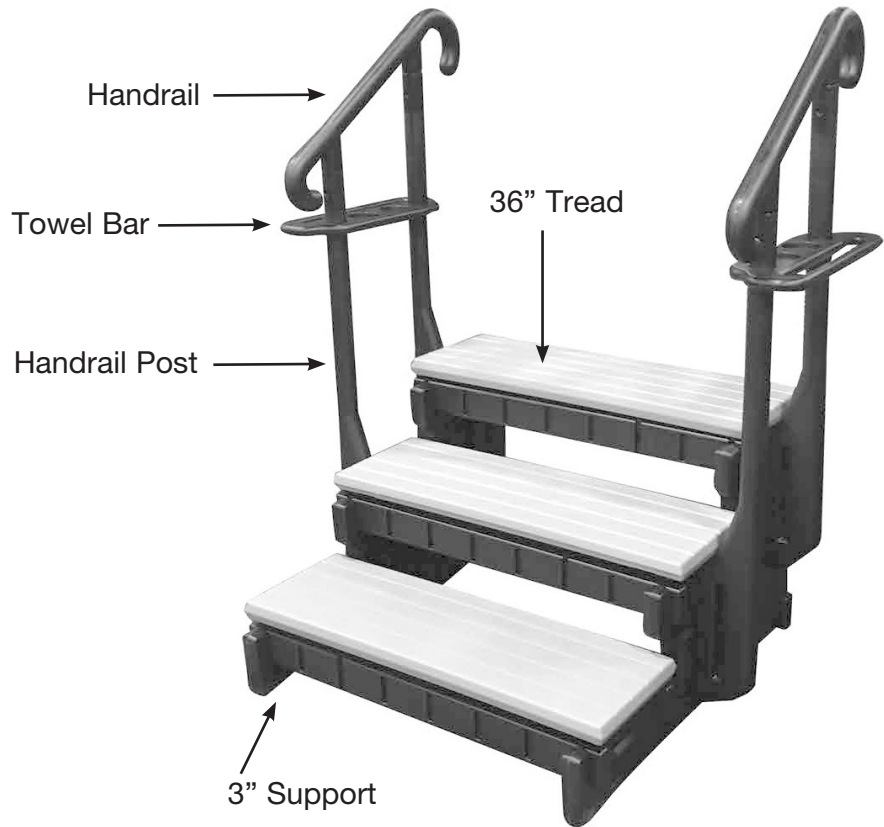
- 4 - 36" Steps
- 9 - 36" x 3" supports

CARTON #2 CONTAINS:

- 2 - Sidewalls (4 step)
- 2 - Handrails
- 4 - Handrail Posts
- 2 - Cup Holder / Towel Rack

1 - **Hardware Bag:**

- 2 - Plugs
- 1 - Foam Strip (4 pads/strip)
- 4 - #10 x 1-1/4" Screws
- 1 - Set of Instructions



Safe Installation

⚠ WARNING

To reduce the risk of electrocution, drowning, falls, or other serious injury or death:

Check building codes/permitting. Consult your local Building Department before installation of your spa and equipment. Spa/equipment installation must comply with the codes of the authority having jurisdiction and may require permits (e.g., building, plumbing, electrical, zoning, etc.).

Use for intended purpose only

- Use only as spa stairs.

Check that you have all required parts. Check the contents of the carton with the Parts list for this step system. All parts and hardware are required. If any parts are missing, **DO NOT attempt to assemble or install the steps.** Instead, call Toll Free U.S. - 800-635-3213 or visit our web site at www.conferplastics.com for assistance.

Select an appropriate location - The step must be located on a solid base.

Follow all instructions

- For stable, correct assembly and installation, all instructions must be followed completely and in the sequence shown.
- Follow the manufacturer's recommendations for the safe use of all hand tools and equipment used during installation.

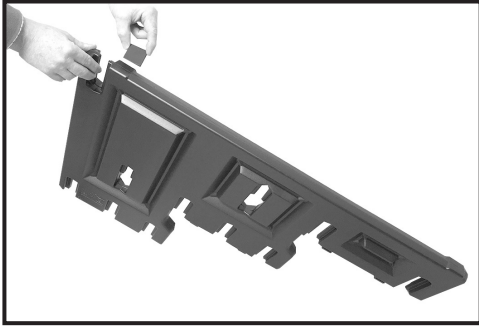
Cordless drill only - no corded drills near spa. Use a cordless drill for assembly and installation. To reduce the risk of electrocution, NEVER use a corded drill in or around a spa.

Lift safely. When lifting awkward or heavy loads, have another person help you.

Double check after installation

- Before using the product, after assembly and installation, go over the instructions and procedures again to make sure nothing has been overlooked.

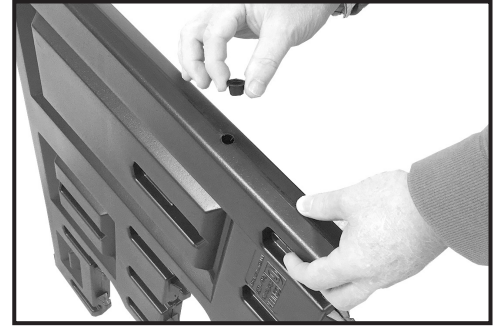
STEP ASSEMBLY:



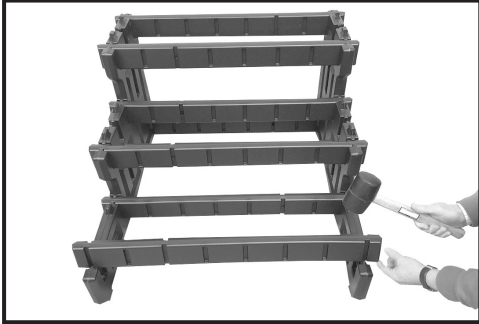
Step 1: Install the foam pads on the flat spots located on the bottom edge of sidewall.



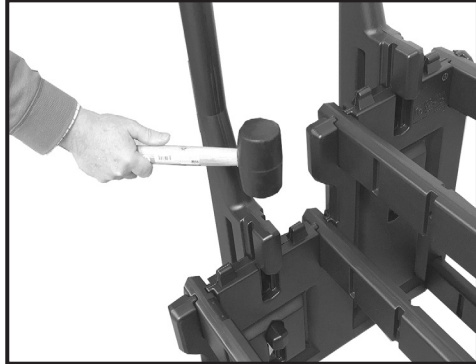
Step 2: Using a rubber mallet install one of the 3" supports into the slot located on the bottom of sidewall.



Step 3: Install one plug into each sidewall



Step 4: Turn the step assembly over and finish installing the 3" supports into the front and back slots of each step location.



Step 5: Using a rubber mallet, install the four handrail posts into the middle slots of the top two step locations on the left sidewall, and the top two step locations of the right sidewall. Handrail posts must be seated into the slots.



Step 6: Spread dish soap on the openings on the towel bar. This will allow the towel bar to slide over the handrail posts easier.

WARNING! Using a corded drill near the spa may result in electrocution.



Step 7: Install towel rack/cup holder over the handrail posts with the towel rack to the outside of step, tap in place using the rubber mallet. Towel rack/cup holder may be positioned anywhere on the post.



Step 8: Tap the handrails into the handrail posts.



Step 9: Secure handrails using 1- #10 x 1 1/4" screw into each post at pre-marked locations.



Step 10: Install the steps (finished edge out) by placing over the male lugs on the step sidewall and hitting downward with a rubber mallet.

Safe Use

⚠ WARNING

To reduce the risk of drowning, falls, paralysis, electrocution, or other serious injury or death:

Use step properly.

Use for intended purpose only - Not intended for chemical storage.

- **No diving or jumping from steps** - shallow water; risk of paralysis or death.
- **ONE PERSON ON THE STEP AT A TIME.**
- **Illuminate the steps** when using the spa at night.

Weight limit - 300 lbs maximum. Exceeding maximum weight may cause the step to fail.

Secure the spa when not in use. - (for example, with a locked cover or secure gate) - refer to local codes.

Watch children at all times when they are in or around water to help prevent drowning.

BE SURE AND SAFE. - The manufacturer **IS NOT** responsible for improper assembly, installation and use.

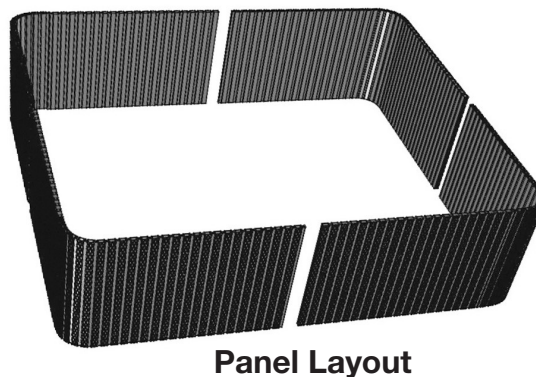
Flexible Spa Panel Kit

REPLACEMENT SPA SKIRTING

Available in 3 colors:



Available Now!



CONFER PLASTICS INC.® FIVE YEAR WARRANTY

Confer Plastics Inc.® warrants their Pool and Spa Products to be free from defects in workmanship for five years from date of purchase.

DO NOT RETURN DEFECTIVE PART TO DEALER

E-MAIL CONFER PLASTICS AT: CUSTOMERSERVICE@CONFERPLASTICS.COM
A PICTURE [S] OF DEFECTIVE PART, A BRIEF DESCRIPTION OF PROBLEM,
PROOF OF PURCHASE AND YOUR CONTACT INFORMATION.

INFORMATION MAY ALSO BE FAXED TO CONFER PLASTICS AT: **716-694-3102**
OR MAILED TO THE ADDRESS BELOW. UPON REVIEW OF THE INFORMATION YOU
WILL BE NOTIFIED IF PART IS COVERED UNDER THE WARRANTY AND
THE SHIPPING/HANDLING CHARGES.

This warranty gives you specific legal rights, and you may also have other rights which may vary from state to state.

Confer Plastics Inc.®
97 Witmer Road
North Tonawanda, N.Y. 14120-2421

MADE IN THE U.S.A. by:



CONFER
plastics inc.®

Printed in U.S.A.

97 Witmer Road
North Tonawanda, New York 14120-2421
Toll Free U.S. 800-635-3213
Fax 716-694-3100
www.conferplastics.com
© Confer Plastics, Inc.® 2024