

⚠️ WARNING

To reduce the risk of drowning, entrapment, falls, paralysis, electrocution, or other serious injury or death:

Dealer/Installer: Give manual to homeowner.

Installer: Read "Safe Installation" below and all instructions before beginning. For proper assembly and installation, instructions must be followed completely.

Homeowner: Read "Safe Use" on back cover before using. Save these instructions.

Installation must comply with local codes and may require permits.

MODEL CK7200 Conversion Kit (warm gray)

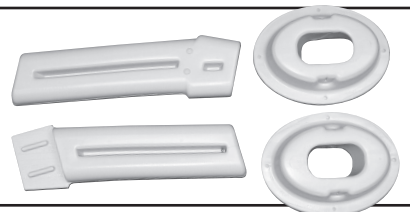
KIT USED TO CONVERT 7200 A-FRAME LADDER TO DECK LADDER ASSEMBLY, INSTRUCTION AND USE MANUAL

Parts List

- 2 - # 6-00-72-CONV-01
- 2 - # 6-00-72-CONV-02
- 12 - # 3-00-72-CONV

Description

- mounting block
- adjustable tube
- # 10 x 2" self tapping screws



Safe Installation

⚠️ WARNING

To reduce the risk of electrocution, drowning, entrapment, falls, or other serious injury or death:

Check building codes/permitting. Consult your local Building Department before installation of your pool and equipment. Pool/equipment installation must comply with the codes of the authority having jurisdiction and may require permits (e.g., building, plumbing, electrical, zoning, etc.). Be sure that barriers (fences, gates, etc.) restricting pool access meet local codes.

Use for intended purpose only

- Use only as conversion kit for ladder.
- When converted, this ladder is designed and manufactured for a specific pool wall height and/or deck of the pool - check product specification and the height of your pool.

Check that you have all required parts. Check the contents of the carton with the Parts List for this ladder.

All parts and hardware are required. If any parts are missing, **DO NOT attempt to assemble or install the ladder.** Instead, call Toll Free U.S. - 800-635-3213 or visit our web site at www.conferplastics.com for assistance.

Select an appropriate location - The ladder must be located on a level, solid base and in a location that will be in full view of competent adult supervision when in use.

Follow all instructions

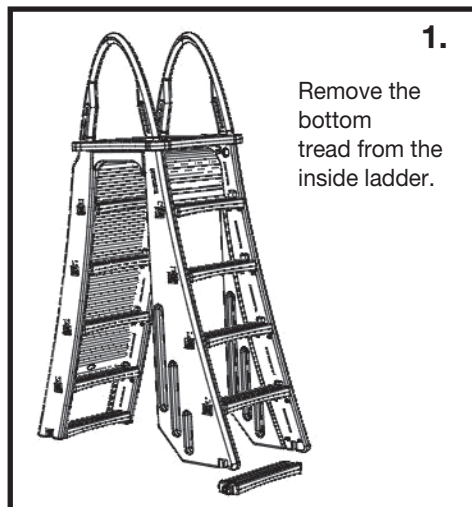
- For stable, correct assembly and installation, all instructions must be followed completely and in the sequence shown.
- Follow the manufacturer's recommendations for the safe use of all hand tools and equipment used during installation.

Cordless drill only - no corded drills near pool. Use a cordless drill for assembly and installation. To reduce the risk of electrocution, NEVER use a corded drill in or around a pool.

Lift safely. When lifting awkward or heavy loads, have another person help you.

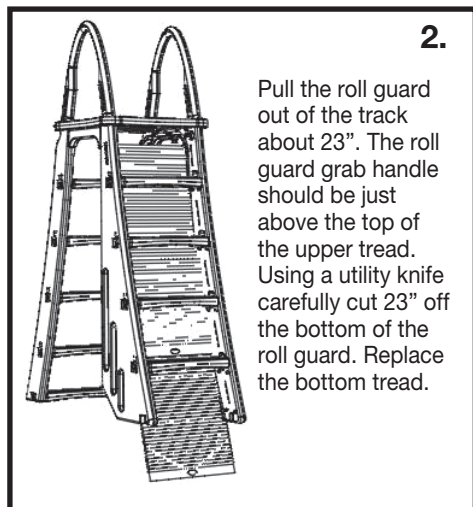
Double check after installation

- Before using the product, after assembly and installation, go over the instructions and procedures again to make sure nothing has been overlooked.
- Make sure that safety labels are installed and legible.



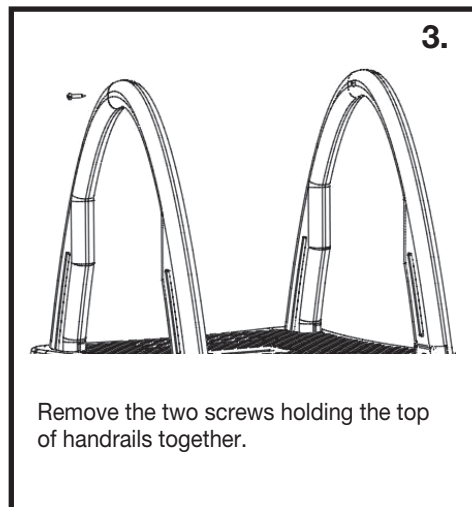
1.

Remove the bottom tread from the inside ladder.



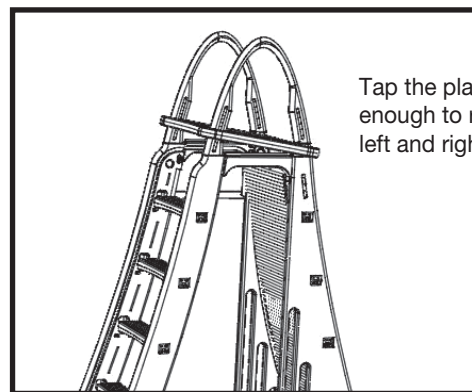
2.

Pull the roll guard out of the track about 23". The roll guard grab handle should be just above the top of the upper tread. Using a utility knife carefully cut 23" off the bottom of the roll guard. Replace the bottom tread.



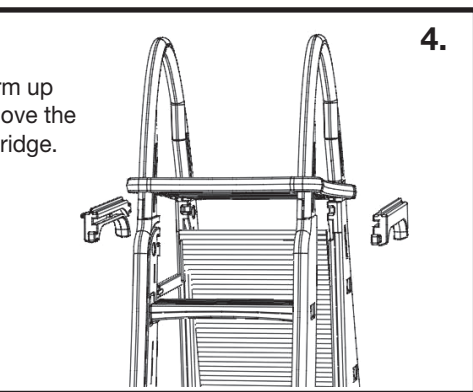
3.

Remove the two screws holding the top of handrails together.



4.

Tap the platform up enough to remove the left and right bridge.



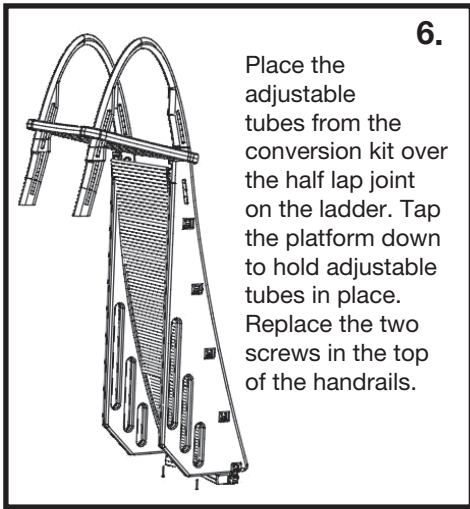
5.

Remove the outside portion of ladder, this is no longer needed.



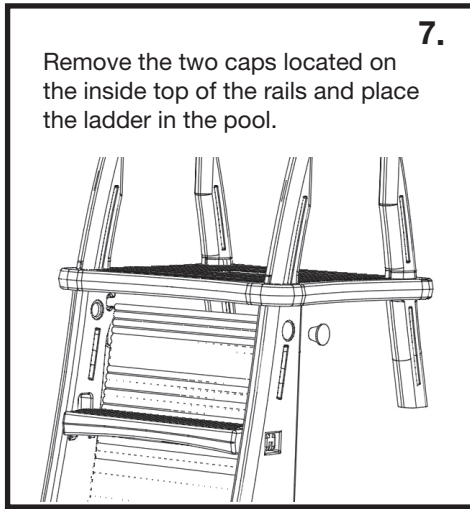
Proudly Made in U.S.A. by

CONFER
plastics inc.



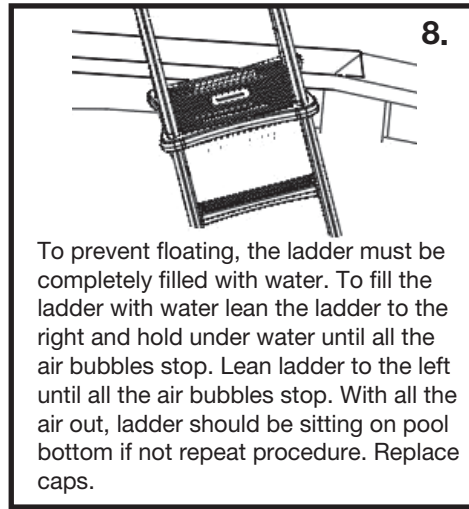
6.

Place the adjustable tubes from the conversion kit over the half lap joint on the ladder. Tap the platform down to hold adjustable tubes in place. Replace the two screws in the top of the handrails.



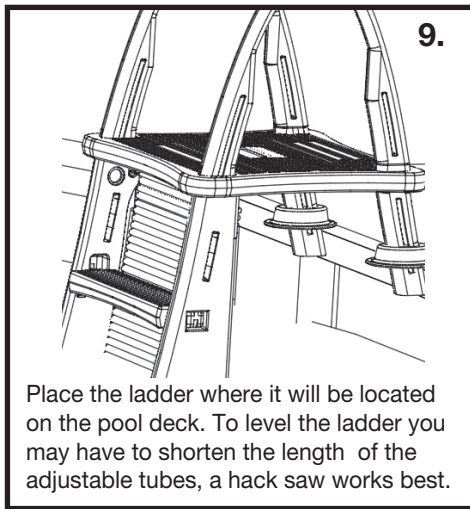
7.

Remove the two caps located on the inside top of the rails and place the ladder in the pool.



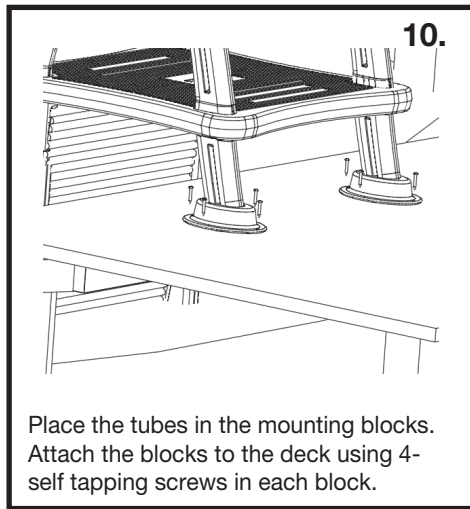
8.

To prevent floating, the ladder must be completely filled with water. To fill the ladder with water lean the ladder to the right and hold under water until all the air bubbles stop. Lean ladder to the left until all the air bubbles stop. With all the air out, ladder should be sitting on pool bottom if not repeat procedure. Replace caps.



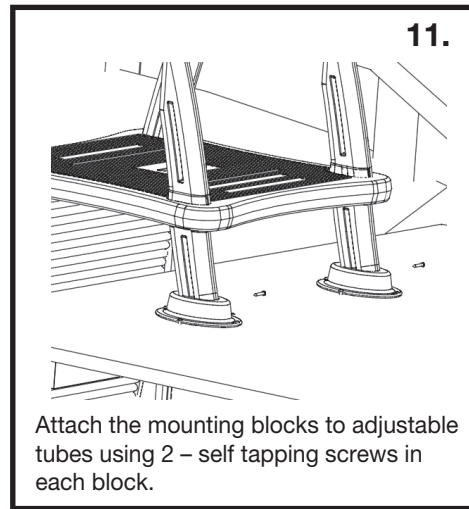
9.

Place the ladder where it will be located on the pool deck. To level the ladder you may have to shorten the length of the adjustable tubes, a hack saw works best.



10.

Place the tubes in the mounting blocks. Attach the blocks to the deck using 4-self tapping screws in each block.



11.

Attach the mounting blocks to adjustable tubes using 2 - self tapping screws in each block.

Safe Use

⚠ WARNING

To reduce the risk of drowning, entrapment, falls, paralysis, or other serious injury or death:

Use ladder properly.

- **No diving or jumping from ladder** - shallow water; risk of paralysis or death.
- **FOR ENTRY/EXIT OF POOL, FACE THE LADDER AT ALL TIMES.**
- **ONE PERSON ON THE LADDER/STAIR AT A TIME.**
- To reduce the risk of entrapment or drowning, **DO NOT** swim through, behind or around ladder.
- Illuminate the ladder when using the pool at night.

Weight limit - 300 lbs maximum. Exceeding maximum weight may cause the ladder to fail.

Secure ladder when not in use.

Watch children at all times when they are in or around water to help prevent drowning.

BE SURE AND SAFE. The manufacturer **IS NOT** responsible for improper assembly Installation and use.

WINTERIZING: Unfasten the ladder from adjustable tubes and remove from the water. Remove the plugs and lay ladder on its side to drain. It will take several minutes for the water to drain out of the ladder rails and treads. A small amount of water left in ladder will not cause any damage. Replace the plugs so they won't get lost. To reinstall, see Step #6.

CONFER PLASTICS INC. FIVE YEAR WARRANTY

Confer Plastics Inc. warrants their swimming pool ladders and steps to be free from defects in workmanship for five years from date of purchase.

DO NOT RETURN DEFECTIVE PART TO DEALER

E-MAIL CONFER PLASTICS AT: CUSTOMERSERVICE@CONFERPLASTICS.COM
 A PICTURE [S] OF DEFECTIVE PART, A BRIEF DESCRIPTION OF PROBLEM,
 PROOF OF PURCHASE AND YOUR CONTACT INFORMATION.
 INFORMATION MAY ALSO BE FAXED TO CONFER PLASTICS AT: 716-694-3102
 OR MAILED TO THE ADDRESS BELOW. UPON REVIEW OF THE INFORMATION YOU
 WILL BE NOTIFIED IF PART IS COVERED UNDER THE WARRANTY AND
 THE SHIPPING/HANDLING CHARGES.

This warranty gives you specific legal rights, and you may also have other rights which may vary from state to state.

Confer Plastics Inc., 97 Witmer Road, North Tonawanda, N.Y. 14120-2421

MADE IN THE USA BY:



CONFER
plastics inc.

Printed in USA

97 Witmer Road
 North Tonawanda, New York 14120-2421
 Toll Free U.S. 800-635-3213
 FAX 716-694-3102
www.conferplastics.com

05/23