

⚠️ WARNING

To reduce the risk of drowning, entrapment, falls, paralysis, electrocution, or other serious injury or death:

Dealer/Installer: Give manual to homeowner.

Installer: Read "**Safe Installation**" on page # 2 and all instructions before beginning. For proper assembly and installation, instructions must be followed completely.

Homeowner: Read "**Safe Use**" on back cover before using. Save these instructions.

Installation must comply with local codes and may require permits.

MODEL #6000X

ADJUSTABLE HEAVY DUTY INPOOL LADDER

Adjusts to fit pool deck heights of 42" to 56" - Ladder must be attached to deck

WEIGHT LIMIT 300 LBS.

ASSEMBLY, INSTALLATION AND USE MANUAL

Assembly video available online: www.conferplastics.com



Scan to see our
Installation Videos



The Anti-Entrapment Barrier is included in this ladder as required by ISPS requirements.
The Anti-Entrapment Barrier is NOT intended as a substitute for competent adult supervision.



Note: 10 Lbs. of sand required for pools taller than 48" (See Step 1).



Model #6000X Adjustable Heavy-Duty Inpool Ladder

Ladder must be attached to deck

If missing parts call - Toll free U.S./Canada - 800-635-3213 or www.conferplastics.com

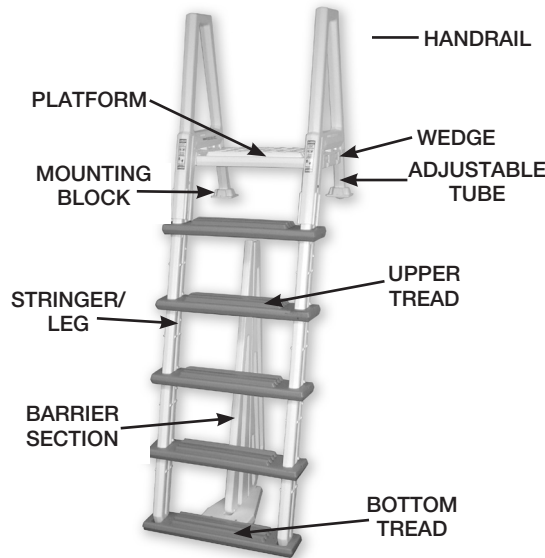
Parts List

- 2 - Handrails
- 2 - Stringers (Legs)
- 4 - Upper treads
- 1 - Bottom tread
- 1 - Platform with Wedges (See Step 4)

Hardware Pack

- 26 - #10 x 1-1/4" screws
- 2 - Mounting Blocks
- 2 - Adjustable Tubes

Use a little liquid soap to help with ladder assembly.



Tools Needed for Assembly

- * - Cordless Drill
- * - 1/8" Drill Bit
- * - Phillips Screwdriver or screwdriver bits
- * - Pliers
- * - Garden Hose
- * - Liquid soap or lubricant

Barrier Parts List

(Included in Hardware Pack)

- 4 - #10 x 1-1/4" screws
- 1 - Strip of 4 Foam Pads
- 1 - Large Barrier Section
- 1 - Small Barrier Section
- 1 - Upper Brace
- 1 - Lower Base



ADDITIONAL ACCESSORIES MAY BE PURCHASED

6000X Extension Kit (Part # 6000X-EXT) - Raises ladder to reach deck heights from 57" to approximately 68". Kit includes two extension boots, one additional ladder tread, hardware and instructions.

Order online at www.conferplastics.com

Safe Installation

⚠ WARNING

To reduce the risk of electrocution, drowning, entrapment, falls, or other serious injury or death:

Check building codes/permitting. Consult your local Building Department before installation of your pool and equipment. Pool/equipment installation must comply with the codes of the authority having jurisdiction and may require permits (e.g., building, plumbing, electrical, zoning, etc.). Be sure that barriers (fences, gates, etc.) restricting pool access meet local codes.

Use for intended purpose only

- Use only as a swimming pool ladder.
- This ladder is designed and manufactured for a specific pool wall height and/or deck of the pool - check product specification and the height of your pool.

Check that you have all required parts. Check the contents of the carton with the Parts List for this ladder.

All parts and hardware are required. If any parts are missing, **DO NOT attempt to assemble or install the ladder.** Instead, call Toll Free U.S. - 800-635-3213 or visit our web site at www.conferplastics.com for assistance.

Select an appropriate location - The ladder must be located on a level, solid base and in a location that will be in full view of competent adult supervision when in use.

Follow all instructions

- For stable, correct assembly and installation, all instructions must be followed completely and in the sequence shown.
- Follow the manufacturer's recommendations for the safe use of all hand tools and equipment used during installation.

Cordless drill only - no corded drills near pool. Use a cordless drill for assembly and installation. To reduce the risk of electrocution, NEVER use a corded drill in or around a pool.

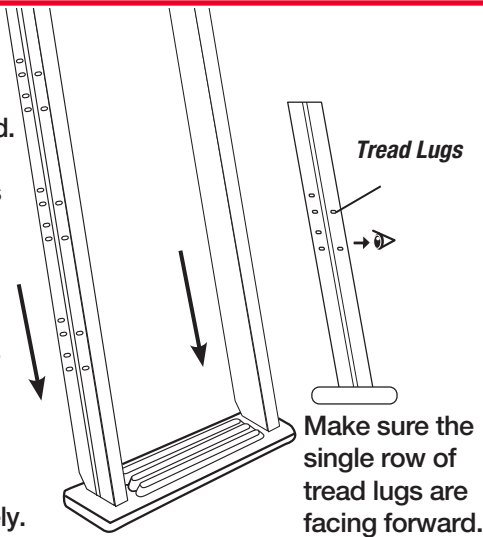
Lift safely. When lifting awkward or heavy loads, have another person help you.

Double check after installation

- Before using the product, after assembly and installation, go over the instructions and procedures again to make sure nothing has been overlooked.
- Make sure that safety labels are installed and legible.

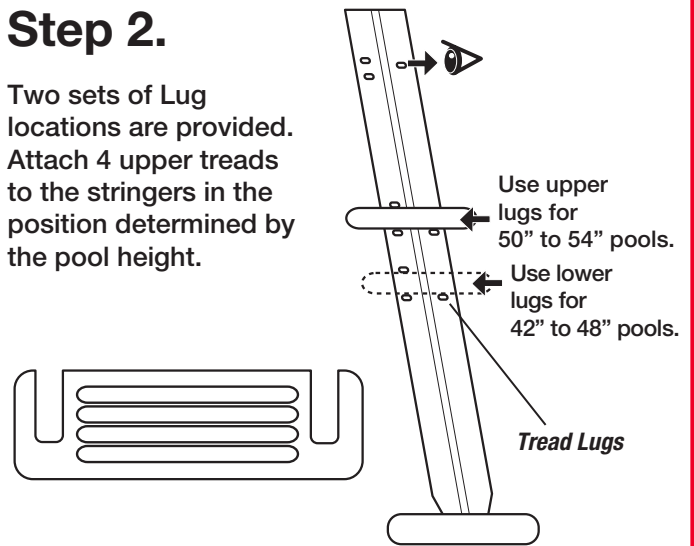
Step 1.

Snap stringers into bottom tread. If necessary lift the two stringers off the ground, with the bottom tread attached, and drop them firmly so that the stringers "snap" into the tread pockets. The bottom tread should pivot freely.



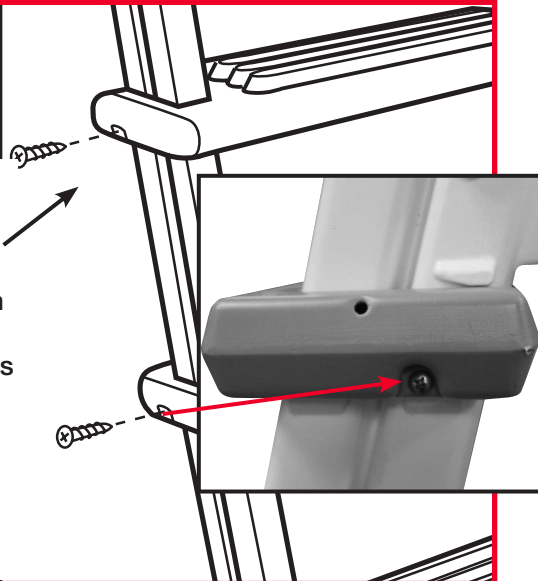
Step 2.

Two sets of Lug locations are provided. Attach 4 upper treads to the stringers in the position determined by the pool height.



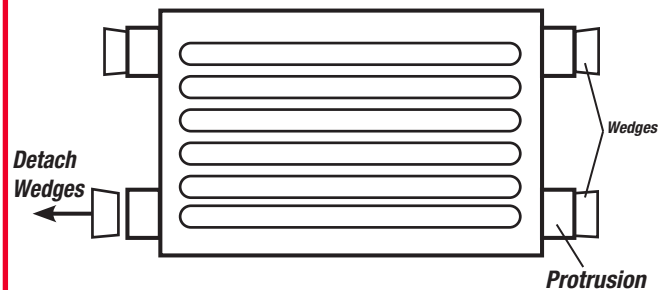
Step 3.

Secure the upper treads by driving #10 x 1-1/4" screws through the recessed, pre-drilled holes in the ends of each tread as shown. Repeat for all 4 upper treads.



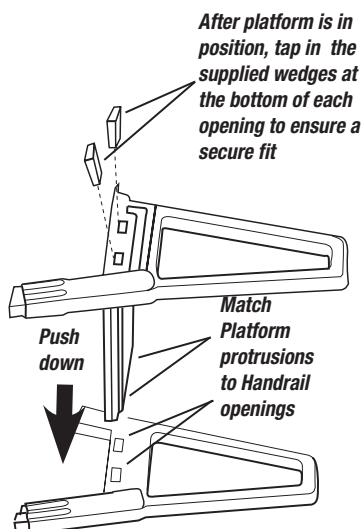
Step 4.

Using a pair of pliers twist off the wedges that are attached from the end of the platform and **SAVE** for use in step 5.



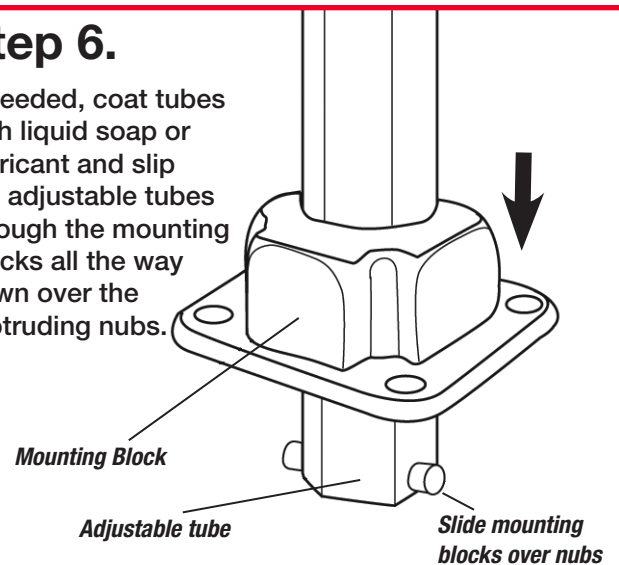
Step 5.

Assemble the platform to the handrails by laying one of the handrails on a clean hard surface. Push the protrusion of the platform into the openings of the handrail making sure that the legs of both handrails are facing in the same direction. Tap the 4 wedges (from step 4) into the sides of the handrails to secure the platform to the rails.



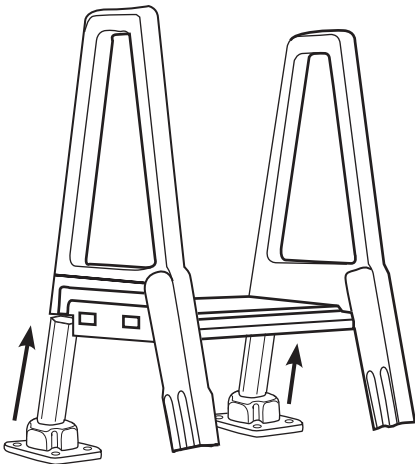
Step 6.

If needed, coat tubes with liquid soap or lubricant and slip the adjustable tubes through the mounting blocks all the way down over the protruding nubs.



Step 7.

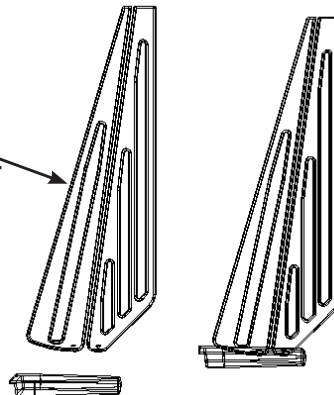
Push the adjustable tubes with mounting blocks into handrails.



Step 8.

Small Barrier

Large Barrier

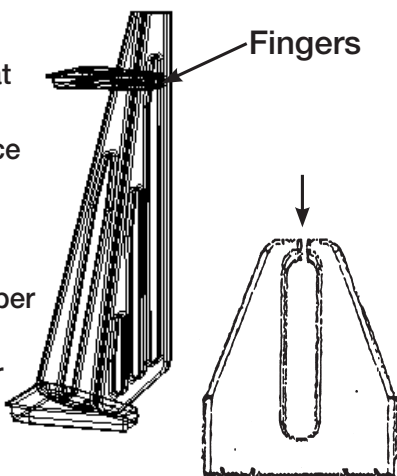


Snap Small and Large Barrier Sections into slots on Lower Base as shown.

Step 9.

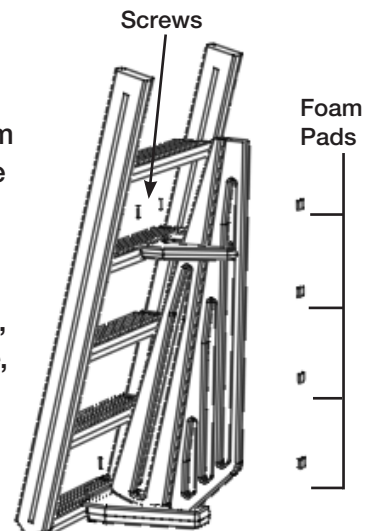
Separate sections at the top slightly and position Upper Brace over Small Barrier Section.

Next, spread the "fingers" on the Upper Brace into position on the Large Barrier Section as shown.



Step 10.

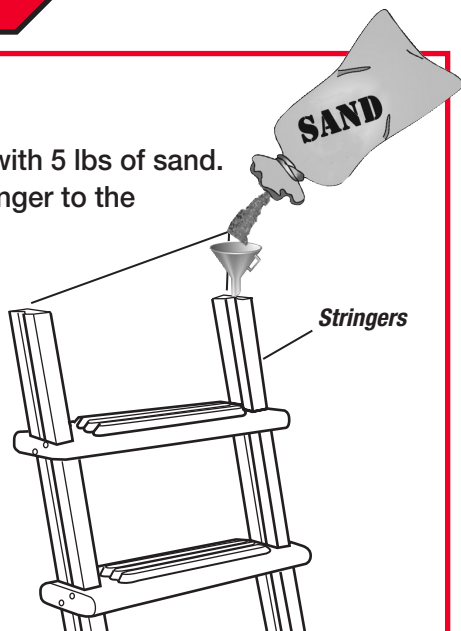
Place the Base and Brace into position, centered, on the bottom and fourth treads of the ladder. Install the four (4) #10 x 1-1/4" screws (included in hardware pack), on a slight angle, first in the Upper Brace, and then in the Lower Base as shown. Install the self-adhering foam strips to the Large Barrier Section as shown.



IF YOUR POOL IS TALLER THAN 48", PROCEED TO STEP 11A
IF YOUR POOL IS 48" OR LESS, PROCEED TO STEP 11B

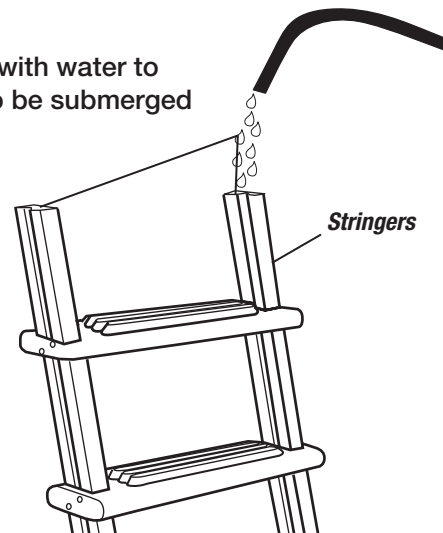
Step 11A.

Fill each stringer with 5 lbs of sand. Then, fill each stringer to the top with water.



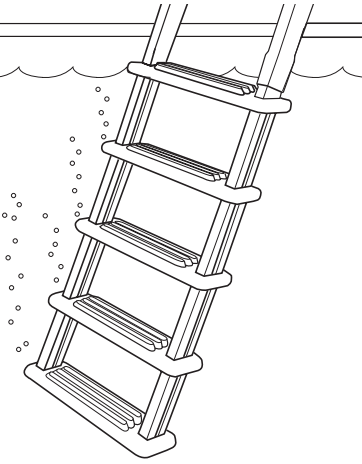
Step 11B.

Fill both stringers with water to allow the ladder to be submerged in the pool.

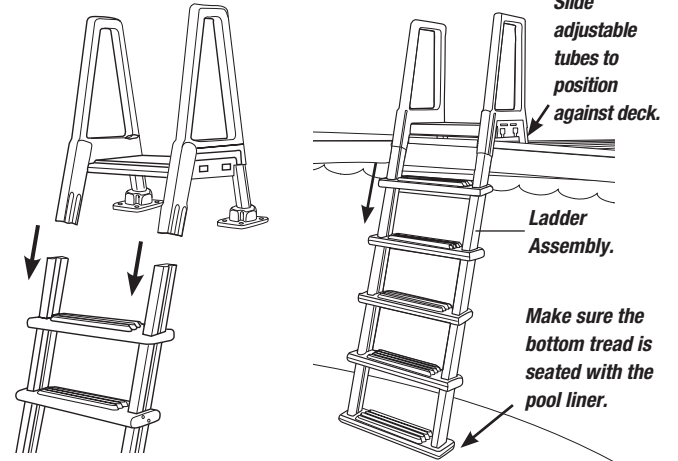


Step 12.

Submerge ladder assembly into water and tilt left, then right, repeating as necessary to fill the ladder and treads with water. When the bubbles stop, the ladder is filled with water. This process will take several minutes.

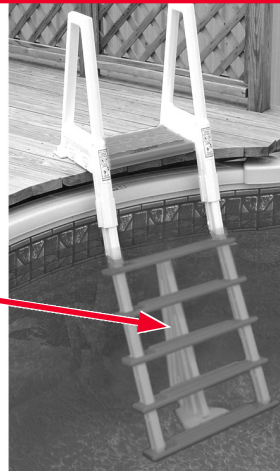


Step 13. With ladder in position and resting on the bottom of the pool, place the handrails over the ladder stringers and push down as far as possible while keeping the ladder platform level. The Adjustable tubes will slide up into the handrails as platform is being pushed down. Mounting blocks should be flat on the deck.



Step 14.

Position ladder so barrier is approximately 1" from pool sidewall. Note: do not allow ladder barrier to touch pool sidewall.



WARNING!

Verify that your chosen location is level and will be in full view of competent adult supervision when in use.

Step 15.

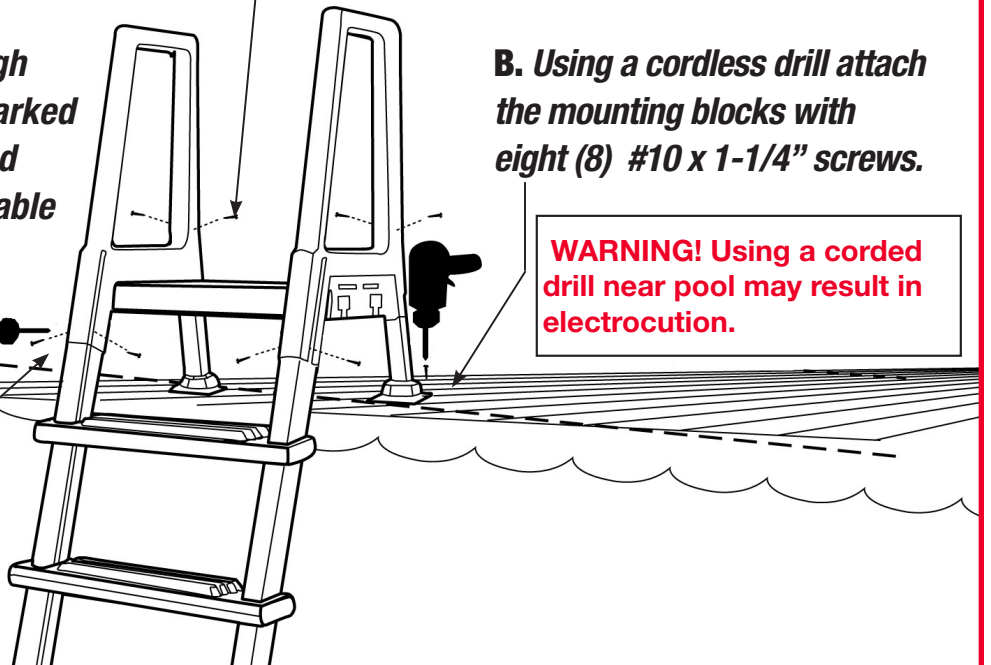
D. Secure the handrail to the tubes using four (4) #10 x 1-1/4" screws at the pre-marked locations (two per handrail).

C. Drill a 1/8" pilot hole through the handrail ends at the premarked locations into the stringers and repeat this step for the adjustable tubes and mounting blocks.

B. Using a cordless drill attach the mounting blocks with eight (8) #10 x 1-1/4" screws.

WARNING! Using a corded drill near pool may result in electrocution.

A. Secure the handrail using four (4) #10 x 1-1/4" screws at the pre-marked locations (two per handrail).



Safe Use

WARNING

To reduce the risk of drowning, entrapment, falls, paralysis, or other serious injury or death:

Use ladder properly.

- **No diving or jumping from ladder** - shallow water; risk of paralysis or death.
- FOR ENTRY/EXIT OF POOL, FACE THE LADDER AT ALL TIMES.
- ONE PERSON ON THE LADDER/STAIR AT A TIME.
- To reduce the risk of entrapment or drowning, DO NOT swim through, behind or around ladder.
- Illuminate the ladder when using the pool at night.

Weight limit - 300 lbs maximum. Exceeding maximum weight may cause the ladder to fail.

Secure ladder when not in use.

Watch children at all times when they are in or around water to help prevent drowning.

BE SURE AND SAFE. The manufacturer **IS NOT** responsible for improper assembly Installation and use.

WINTERIZING: Unfasten the ladder from adjustable tubes and remove from the water. Remove the plugs and lay ladder on its side to drain. It will take several minutes for the water to drain out of the ladder rails and treads. A small amount of water left in ladder will not cause any damage. Replace the plugs so they won't get lost. To reinstall, see Step #12.

CONFER PLASTICS INC.[®] FIVE YEAR WARRANTY

Confer Plastics Inc.[®] warrants their swimming pool ladders and steps to be free from defects in workmanship for five years from date of purchase.

DO NOT RETURN DEFECTIVE PART TO DEALER

E-MAIL CONFER PLASTICS AT: CUSTOMERSERVICE@CONFERPLASTICS.COM
A PICTURE [S] OF DEFECTIVE PART, A BRIEF DESCRIPTION OF PROBLEM,
PROOF OF PURCHASE AND YOUR CONTACT INFORMATION.

INFORMATION MAY ALSO BE FAXED TO CONFER PLASTICS AT: **716-694-3102**
OR MAILED TO THE ADDRESS BELOW. UPON REVIEW OF THE INFORMATION YOU
WILL BE NOTIFIED IF PART IS COVERED UNDER THE WARRANTY AND
THE SHIPPING/HANDLING CHARGES.

This warranty gives you specific legal rights, and you may also have other rights which may vary from state to state.

Confer Plastics Inc.[®], 97 Witmer Road, North Tonawanda, N.Y. 14120-2421

MADE IN THE USA



CONFER
plastics inc.[®]

97 Witmer Road
North Tonawanda, New York 14120-2421
Toll Free U.S. 800-635-3213
FAX 716-694-3102
www.conferplastics.com