

# ⚠️ WARNING

To reduce the risk of drowning, entrapment, falls, paralysis, electrocution, or other serious injury or death:

**Dealer/Installer:** Give manual to homeowner.

**Installer:** Read “**Safe Installation**” on page #2 and all instructions before beginning. For proper assembly and installation, instructions must be followed completely.

**Homeowner:** Read “**Safe Use**” on back cover before using. Save these instructions. Installation must comply with local codes and may require permits.

# MODEL #9300 “ROLL2GUARD®” ENTRY SYSTEM

Adjusts to fit pool heights from 48” - 60” & deck heights from 42” - 60”  
WEIGHT LIMIT: 400LBS

## ASSEMBLY, INSTALLATION AND USE MANUAL

Assembly video available online: [www.conferplastics.com](http://www.conferplastics.com)



Scan to  
see our  
Installation  
Videos

1x 9300 installed as in-pool  
configuration



1x 9300 & 1x CCX-AG  
installed as ground to  
step configuration

2x 9300s installed in  
A-Frame Configuration



US PATENT PENDING



Proudly Made in U.S.A. by

**CONFER**  
*plastics inc.*®

# MODEL #9300 "ROLL2GUARD®" ENTRY SYSTEM

If missing parts call - Toll free U.S./Canada - 800-635-3213 or [www.onferplastics.com](http://www.onferplastics.com)

## Parts List:

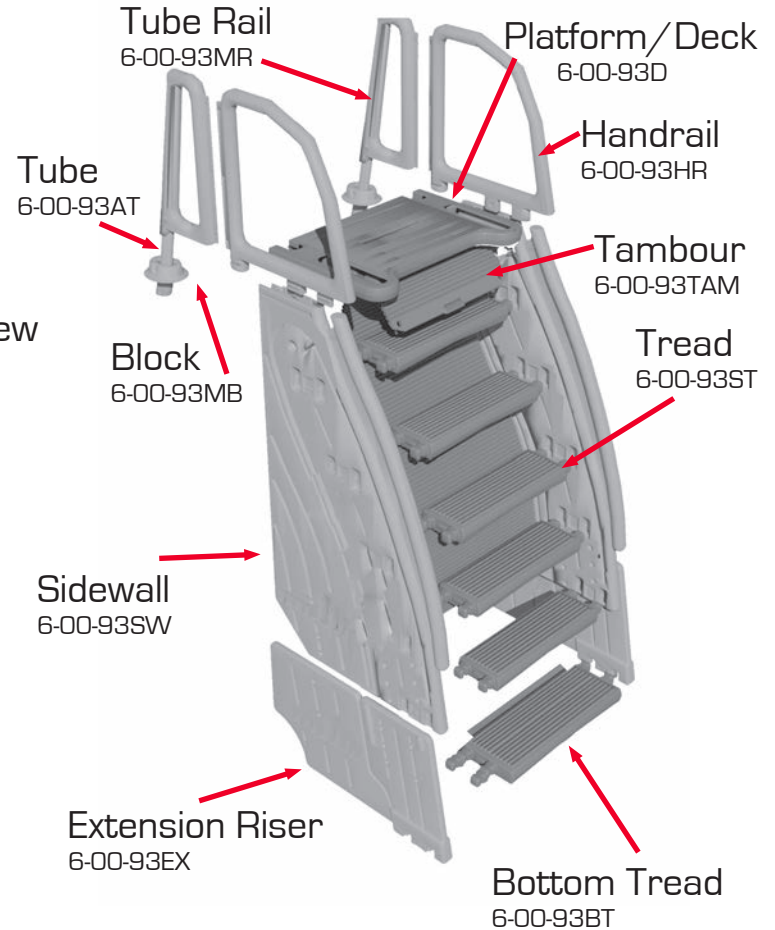
- 5 - Treads
- 1 - Bottom Tread
- 1 - Platform/Deck
- 2 - Handrail
- 2 - Tubes
- 2 - Tube Rail
- 2 - Mounting Block
- 2 - Extension Riser
- 2 - Sidewall
- 1 - Tambour

## Hardware List:

- 8 - 1/4 - 20 2" Bolt
- 14 - 1/4" Hex Nut
- 2 - Plug
- 1 - Bell Combo Quick Zip-Tie Lock
- 12 - #10 x 1 1/4" Screw
- 8 - 1/4" - 20 x 1" Bolt
- 2 - #10 x 3/4" Screw
- 2 - 1/4" Acorn Nut

## Tools List:

- #2 Phillips head screwdriver
- Adjustable wrench
- Rubber mallet
- Scissors
- Cordless Drill with #2 Phillips Head bit



## Safe Installation

### **⚠ WARNING**

To reduce the risk of electrocution, drowning, entrapment, falls, or other serious injury or death:

**Check building codes/permitting.** Consult your local Building Department before installation of your pool and equipment. Pool/equipment installation must comply with the codes of the authority having jurisdiction and may require permits (e.g., building, plumbing, electrical, zoning, etc.).

#### **Use for intended purpose only**

- Use only as a swimming pool ladder.
- This ladder is designed and manufactured for a specific pool wall height and/or deck of the pool - check product specification and the height of your pool.

**Check that you have all required parts.** Check the contents of the carton with the Parts List for this ladder. All parts and hardware are required. If any parts are missing, **DO NOT attempt to assemble or install the ladder.** Instead, call Toll Free U.S. - 800-635-3213 or visit our web site at [www.onferplastics.com](http://www.onferplastics.com) for assistance.

**Select an appropriate location** - The ladder must be located on a level, solid base and in a location that will be in full view of competent adult supervision when in use.

#### **Follow all instructions**

- For stable, correct assembly and installation, all instructions must be followed completely and in the sequence shown.
- Follow the manufacturer's recommendations for the safe use of all hand tools and equipment used during installation.

**Cordless drill only - no corded drills near pool.** Use a cordless drill for assembly and installation. To reduce the risk of electrocution, NEVER use a corded drill in or around a pool.

**Lift safely.** When lifting awkward or heavy loads, have another person help you.

#### **Double check after installation**

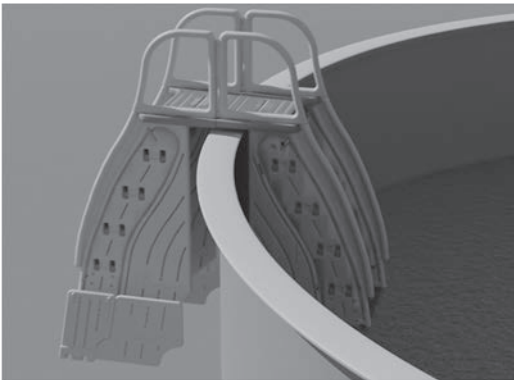
- Before using the product, after assembly and installation, go over the instructions and procedures again to make sure nothing has been overlooked.
- Make sure that safety labels are installed and legible.



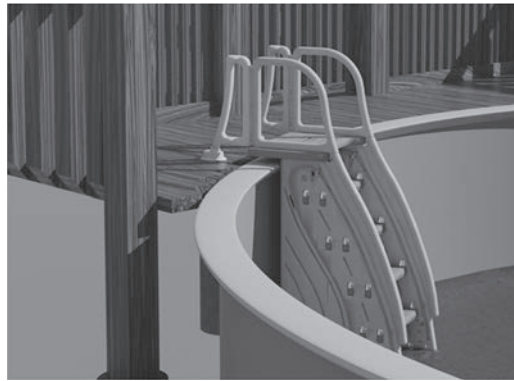
Read this information sheet from start to finish before beginning your 9300 installation. The 9300 can be installed in several different applications and heights. Failure to review this sheet may lead to incorrect assembly, voided warranty, and injury during use.

# 9300 Information Sheet

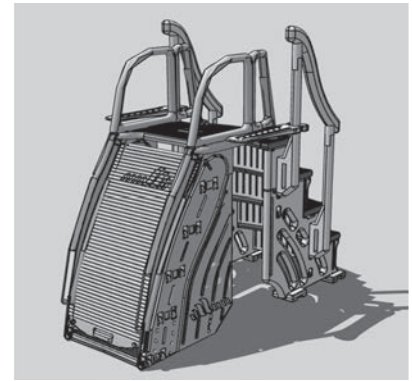
## Installation Options:



**A-Frame Style:** Combine two 9300 ladders to create an A-frame style entry system.



**Deck Ladder:** Attach the 9300 to a deck and drop it into the pool.



**Ground-to-Step Entry:** Use the 9300 with a Confer Plastics Step [CCX-AG or Step-1X] for ground to step entry system.

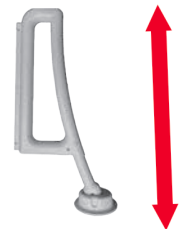
## Determining The Height:



**Without Riser Panels:** Ladder height is 48" from ground to the bottom of the 9300 deck.



**With Riser Panels:** Adjustable to heights 55", 57.5", and 60" to the bottom of the 9300 deck.



For precise alignment, adjust the block and tubes when attaching the 9300 to a deck or in-pool step (e.g., Confer Curve CCX-AG or Step-1X).



Verify installation height and configuration before starting installation of ladder. Assembly and installation instructions are specific for each installation height and configuration. Refer to Page 3 for a guide on installation heights and determining your configuration!

## STEP 1: LADDER BODY & HANDRAILS

Tools needed: Rubber Mallet  
Parts needed: Sidewalls, Treads, Bottom Treads, Handrails & Deck



#1: Lay one sidewall on its side. Insert treads into sidewall and tap into place with a rubber mallet.



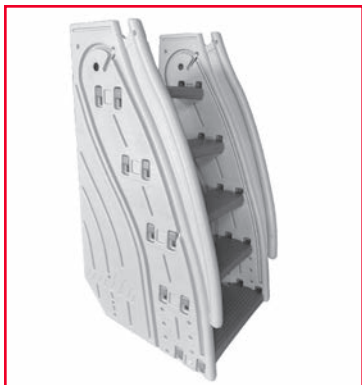
#2: Install 3 more treads into the sidewall and tap into place. DO NOT INSTALL THE BOTTOM TREAD YET!



#3: For 48" Installations, install the bottom tread into the bottom receiver on the sidewall and tap into place.



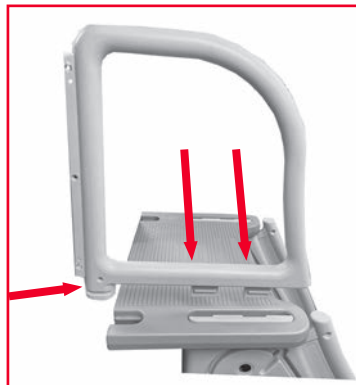
For all other installations, install another tread into the bottom receiver on the sidewall and tap into place.



#4: Place the other sidewall over the treads. Tap treads into place.



#5: Place the deck over the sidewalls



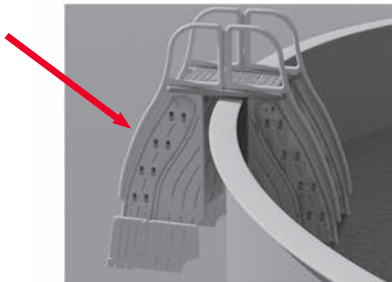
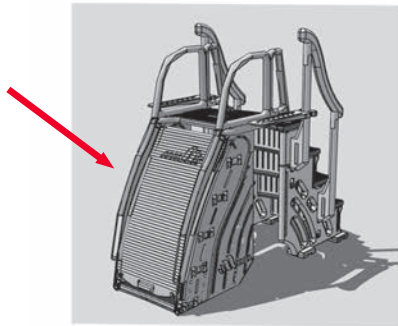
#6: Line the handrail lugs above the receivers on the deck. Push down into place.



#7: Tap the back of the handrail with a rubber mallet until flush with integrated handrail on sidewall.



Depending on the installation position or height of your 9300, the Tambour MAY NEED TO BE CUT. REVIEW PAGE #3 9300 INFORMATION SHEET TO DETERMINE YOUR INSTALLATION HEIGHT AND CONFIGURATION!



IF YOUR 9300 IS INSTALLED AT A 48" HEIGHT INSIDE THE POOL OR ANY HEIGHT OUTSIDE THE POOL, YOU MUST CUT THE TAMBOUR!

IF YOUR 9300 IS INSTALLED INSIDE THE POOL AT 55", 57.5" OR 60", DO NOT CUT THE TAMBOUR!



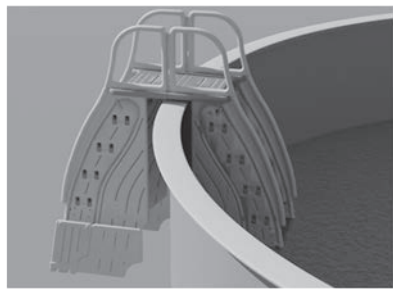
## STEP 2: Installing the Tambour



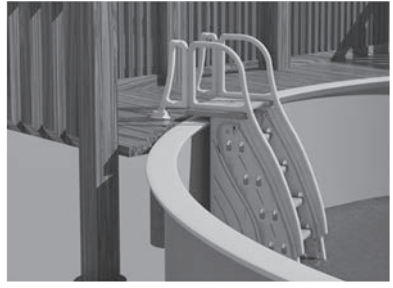
Determine your installation height and configuration using the pictures and diagrams below.



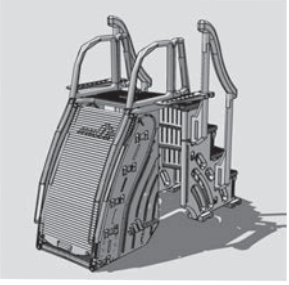
Take your time and read the instructions thoroughly before cutting. An incorrect cut cannot be reversed and will impact the installation. If you cut it incorrectly, it may render the tambour unusable and compromise the installation.



Outside 9300: Proceed to Step 2B (any height)  
Inside 9300: for 48" Installations proceed to Step 2A  
Inside 9300: For 55"- 60" Installations proceed to Step 2C



Inside 9300: for 48" Installations proceed to Step 2A  
Inside 9300: For 55"- 60" Installations proceed to Step 2C



Outside 9300: Proceed to Step 2B





Make sure you have correctly identified your installation position and height. Take your time and read the instructions thoroughly before cutting.

An incorrect cut cannot be reversed and will impact the installation. If you cut it incorrectly, it may render the tambour unusable and compromise the installation.

## STEP 2A: Cutting & Installing the Tambour for 48" InPool 9300 Installations

Tools needed:  
Scissors, Cordless drill with #2  
Phillips head driver  
Parts needed: Tambour

Hardware needed: 2 x #10 3/4" Screw



#1: Lay the 9300 on its front such that the back of the ladder is facing up. With the handle pointing upwards, feed the tambour through the track on the sidewalls.



#2 Feed the tambour into the track until the line between the arrows is just outside the end of the track. Cut with scissors



#3: Stand the 9300 upright. Feed the 9300 tambour into the track in the rear of the bottom tread. Using 2 X #10 3/4" screws, screw through the tambour and into the bottom tread, securing the tambour into place.

**WARNING!** Using a corded drill near pool may result in electrocution.

When completed, proceed to Step #3A



Make sure you have correctly identified your installation position and height. Take your time and read the instructions thoroughly before cutting.

An incorrect cut cannot be reversed and will impact the installation. If you cut it incorrectly, it may render the tambour unusable and compromise the installation.

## STEP 2B: Cutting the Tambour for Outside 9300 Installations

Tools needed: Scissors, screwdriver

Parts needed: Tambour

Hardware needed:

2 x 1" bolt,

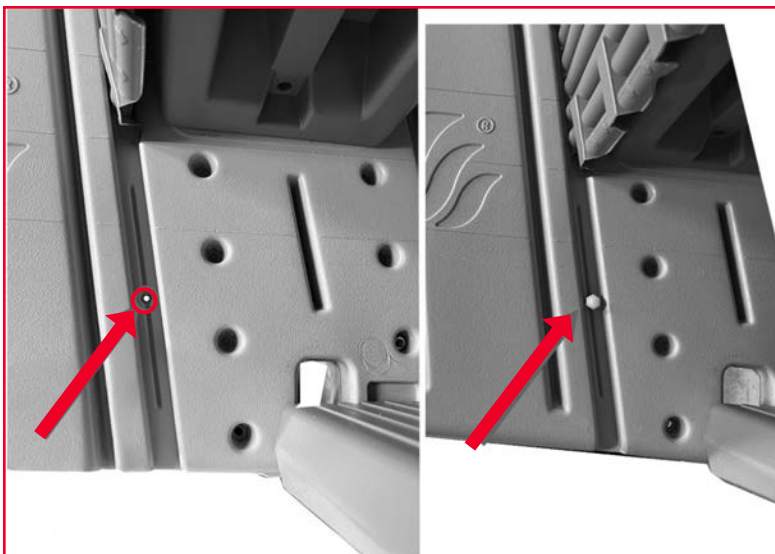
2 x plastic acorn nut



#1: Lay the 9300 on its front such that the back of the ladder is facing up. With the handle pointing upwards, feed the tambour through the track on the sidewalls



#2 Feed the tambour into the track until the line between the arrows is just outside the end of the track. Cut with scissors



#3: Locate the dimpled area on the tambour track towards the bottom of the sidewall. Using a screwdriver, clear the holes on the sidewall. Place a 1" bolt through the sidewall from the outside and screw on an acorn nut such that the acorn nut is in the tambour track. This screw is intentionally long. Repeat this step on the other sidewall



IF YOU ARE INSTALLING YOUR 9300 TO 48", SKIP STEPS ABOUT BOOT ASSEMBLY AND PROCEED TO STEP 3B



# STEP 2B: continued



IF YOU ARE INSTALLING YOUR 9300 TO 48", SKIP STEPS ABOUT BOOT ASSEMBLY AND PROCEED TO [STEP 3B](#)

Tools needed: Screwdriver

Parts Needed: Sidewall Extensions, Bottom Tread

Hardware needed: 8 x 2" bolts, 8 x nuts

#4: Determine the height for your 9300 installation: 55", 57.5", or 60". IF YOU ARE INSTALLING YOUR 9300 TO 48", SKIP THIS STEP!!

#5: Line up the top of the panel extension with the corresponding marking on the sidewall.

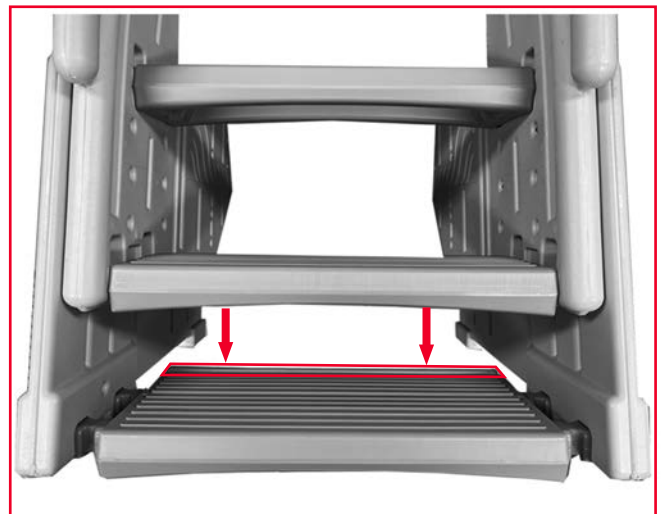
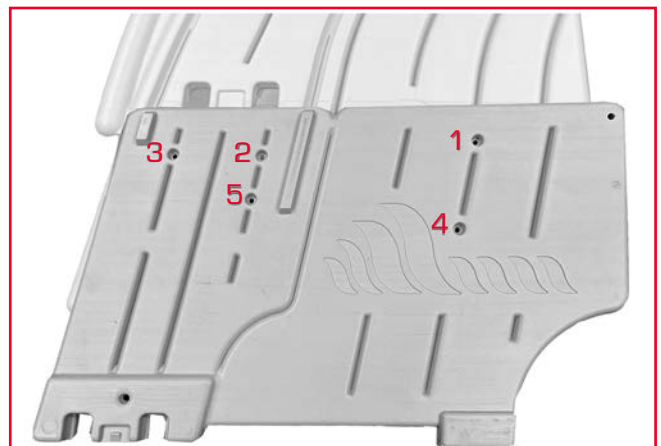
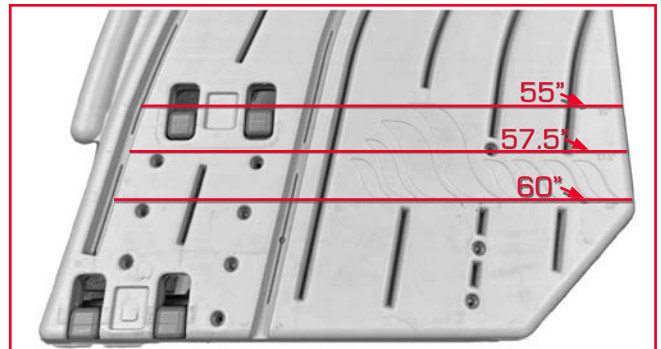
#6: Using a screwdriver, clear the holes on the sidewall extension and the sidewall. Place the 1/4 x 20 2" bolts through the sidewall extension and sidewall. Secure the nut on the inside of the sidewall, ensuring it sits in the recess of the sidewall:

- 55": Use bolt locations 3, 5, 1, 2.
- 57.5": Use bolt locations 3, 4, 5, 2.
- 60": Use bolt locations 3, 5, 1, 2.

#7: Flip the 9300 over and repeat #1-3 on the opposite sidewall.

#8: Lie the 9300 on its back. Place the tread lugs into the bottom of the sidewall extension such that the recessed area is towards the back of the 9300.

If installing as an A Frame, proceed to [Step 4](#)  
If installing as a ground to step, proceed to [Step 3B](#).



# STEP 2C: Installing the Tambour for Inside 9300 Installations of 55"-60"

Tools needed: Screwdriver

Parts Needed: Sidewall

Extensions, Bottom Tread

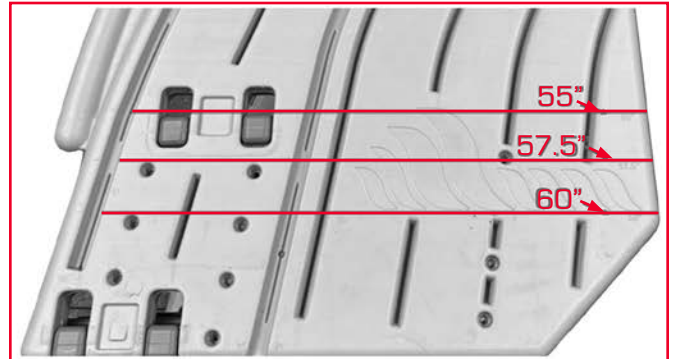
Hardware needed: 8 x 2" bolts,  
8 x nuts, 2 x #10 3/4" screws



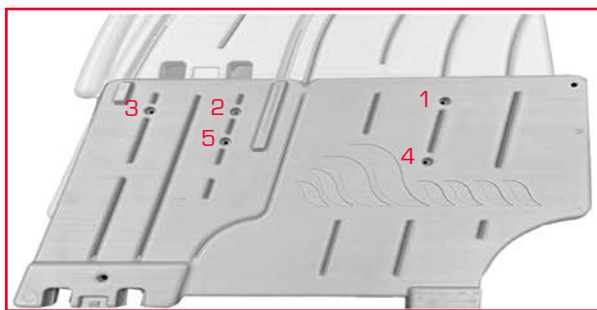
#1: Lay the 9300 on its front such that the back of the ladder is facing up. With the handle pointing upwards, feed the tambour through the track on the sidewalls .



#2 Feed the tambour into the track until the line bottom of the tambour is past the bottom of the sidewall.

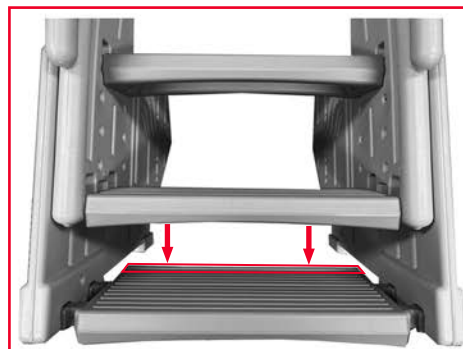


#3: Determine the height for your 9300 installation: 55", 57.55", or 60". Line up the top of the panel extension with the corresponding marking on the sidewall.



#4: Using a screwdriver, clear the holes on the sidewall extension and the sidewall. Place the 1/4 x 20 2" bolts through the sidewall extension and sidewall. Secure the nut on the inside of the sidewall, ensuring it sits in the recess of the sidewall:

- 55": Use bolt locations 3, 5, 1, 2.
- 57.5": Use bolt locations 3, 4, 5, 2.
- 60": Use bolt locations 3, 5, 1, 2.



#5 Lie the 9300 on its back. Place the tread lugs into the bottom of the sidewall extension such that the recessed area is towards the back of the 9300.



#6: Pull the tambour down and place the tambour into the recessed area in the back of the bottom tread. Screw into place using 2 x #10 3/4" screws.

**WARNING! Using a corded drill near pool may result in electrocution.**



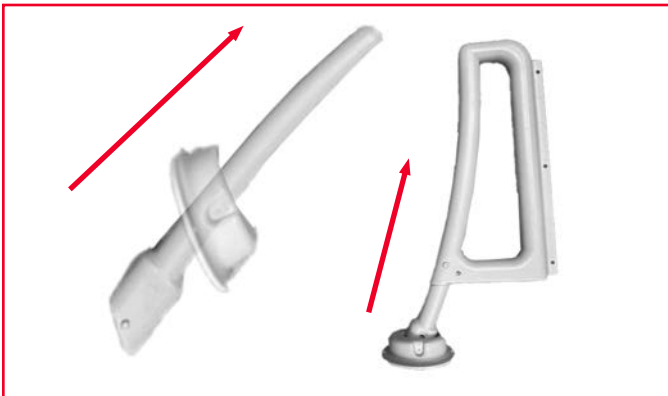
Verify installation location before starting Step 3. Refer to Page 2 for a guide on installation heights and determining your configuration! THE INSTALLATION IS DIFFERENT DEPENDING ON IF YOUR 9300 IS GOING INSIDE OR OUTSIDE THE POOL!

## STEP 3A: Installing the 9300 48" In-Pool Installation

Tools needed: Screwdriver

Parts needed: 2 Tube Rails, 2 tubes, 2 mounting blocks.

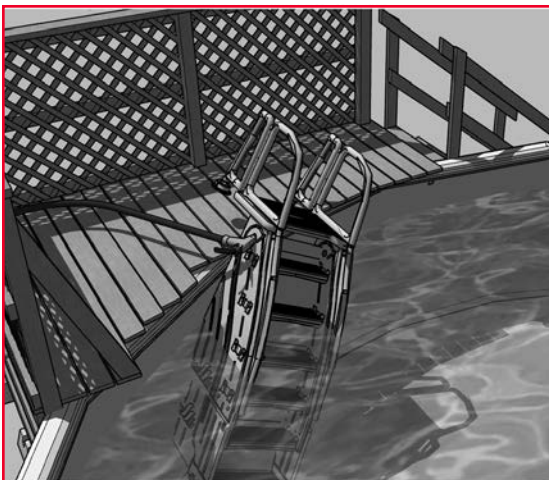
Hardware needed: 6 1" bolts, 6 hex nuts, 12 1 1/4" screws



#1: Slide the tube through the bottom of the mounting blocks such that the tube is flush with the bottom of the flange. Then, slide the tube into the tube handrail.



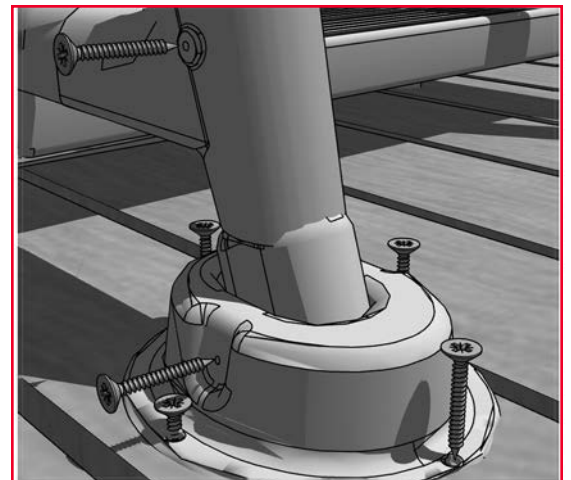
#2: Place the tube rail flange on the inside of the handrail flange. Secure 3 1" bolts and 3 hex nuts. Place the bolt such that any excess threads are pointing towards the outside of the ladder. Repeat for the other side.



#3: Carefully place the 9300 into the pool. Using garden hose, fill sidewalls with water through the openings. Cap when full. As the sidewalls are being filled, the ladder will start to sink. Tilt the ladder from side to side to get all the air out and to sink the 9300.

**WARNING!** Using a corded drill near pool may result in electrocution.

**WARNING!** The inside of the pool ladder must be positioned as close to the inside of the pool wall as possible, this will keep swimmers from going behind ladder. Do not leave a large gap between inside of pool wall and ladder.



#4: Adjust the tubes such that the ladder is secure and level. Using 6 1 1/4" screws, attach the mounting block to the deck, attach the mounting block to the tube, and attach the tube to the tube rail. Repeat for the opposite side.



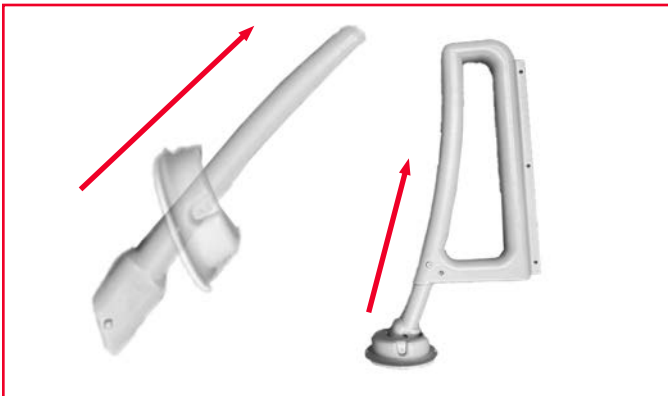
Verify installation location before starting Step 3. Refer to Page 2 for a guide on installation heights and determining your configuration! THE INSTALLATION IS DIFFERENT DEPENDING ON IF YOUR 9300 IS GOING INSIDE OR OUTSIDE THE POOL!

## STEP 3B: Installing the 9300 as Ground to Step

Tools needed: Screwdriver

Parts needed: 2 Tube Rails, 2 tubes, 2 mounting blocks.

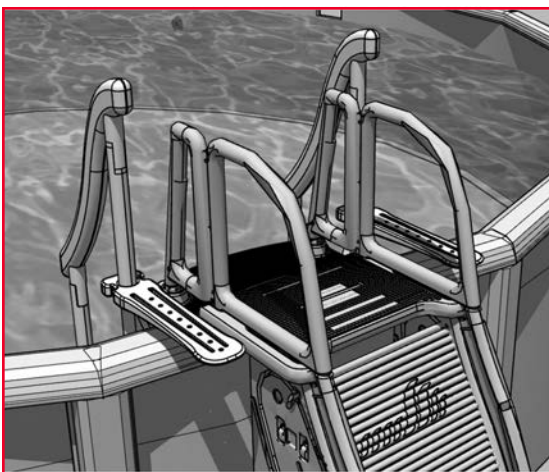
Hardware needed: 6 1" bolts, 6 hex nuts, 12 1 1/4" screws



#1: Slide the tube through the bottom of the mounting blocks such that the tube is flush with the bottom of the flange. Then, slide the tube into the tube handrail.



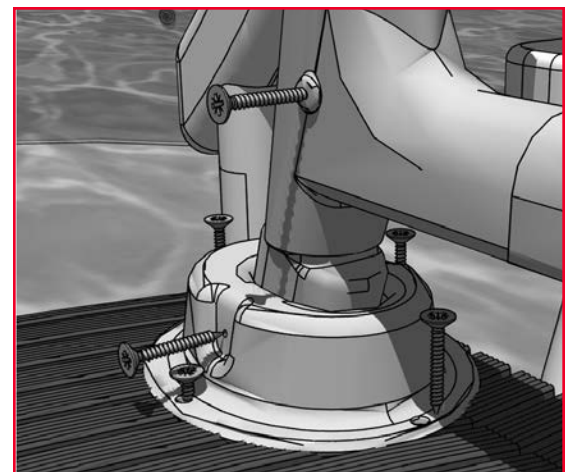
#2: Place the tube rail flange on the inside of the handrail flange. Secure 3 1" bolts and 3 hex nuts. Place the bolt such that any excess threads are pointing towards the outside of the ladder. Repeat for the other side.



#3: With your assembled Confer CCX-AG or Confer Step-1X installed and in position inside the pool, place the 9300 over the pool top rail and onto the top tread of the step. Make any necessary adjustments to the mounting pieces or extension risers.

**WARNING!** Using a corded drill near pool may result in electrocution.

**WARNING!** The inside of the pool ladder must be positioned as close to the inside of the pool wall as possible, this will keep swimmers from going behind ladder. Do not leave a large gap between inside of pool wall and ladder.



#4: Adjust the tubes such that the ladder is secure and level. Using 6 1 1/4" screws, attach the mounting block to the step tread, attach the mounting block to the tube, and attach the tube to the tube rail. Repeat for the opposite side.



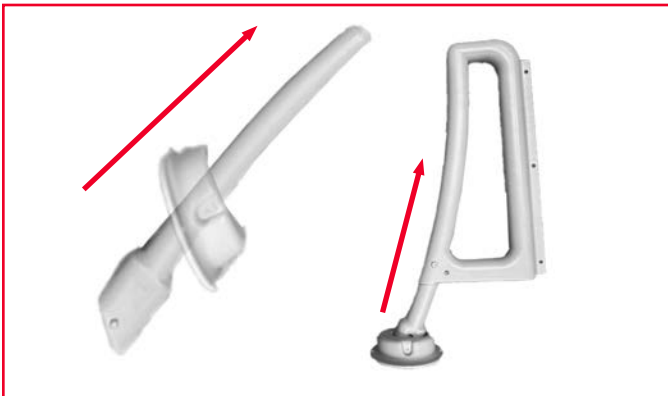
Verify installation location before starting Step 3. Refer to Page 2 for a guide on installation heights and determining your configuration! THE INSTALLATION IS DIFFERENT DEPENDING ON IF YOUR 9300 IS GOING INSIDE OR OUTSIDE THE POOL!

## STEP 3C: Installing the 9300 55-60” In-Pool

Tools needed: Screwdriver

Parts needed: 2 Tube Rails, 2 tubes, 2 mounting blocks.

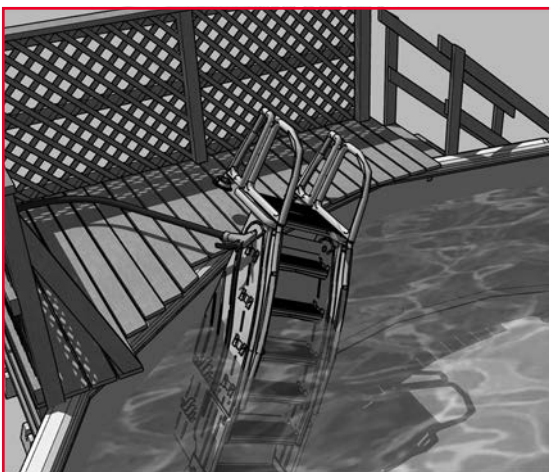
Hardware needed: 6 1” bolts, 6 hex nuts, 12 1 1/4” screws



#1: Slide the tube through the bottom of the mounting blocks such that the tube is flush with the bottom of the flange. Then, slide the tube into the tube handrail.



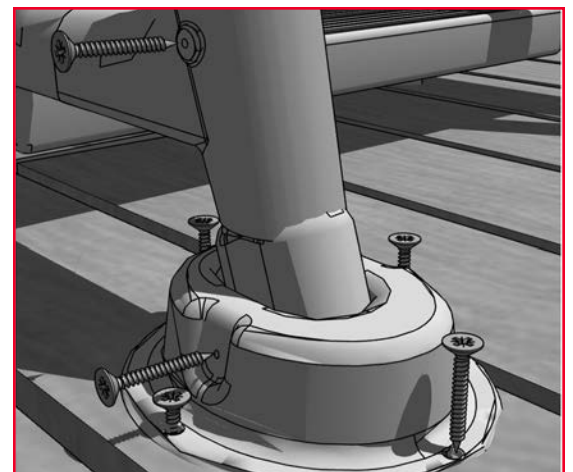
#2: Place the tube rail flange on the inside of the handrail flange. Secure 3 1” bolts and 3 hex nuts. Place the bolt such that any excess threads are pointing towards the outside of the ladder. Repeat for the other side.



#3: Carefully place the 9300 into the pool. Using garden hose, fill sidewalls with water through the openings. Cap both openings when full. As the sidewalls are being filled, the ladder will start to sink. Tilt the ladder from side to side to get all the air out and to sink the 9300

**WARNING!** Using a corded drill near pool may result in electrocution.

**WARNING!** The inside of the pool ladder must be positioned as close to the inside of the pool wall as possible, this will keep swimmers from going behind ladder. Do not leave a large gap between inside of pool wall and ladder.



#4: Adjust the tubes such that the ladder is secure and level. Using 6 1 1/4” screws, attach the mounting block to the deck, attach the mounting block to the tube, and attach the tube to the tube rail. Repeat for the opposite side.

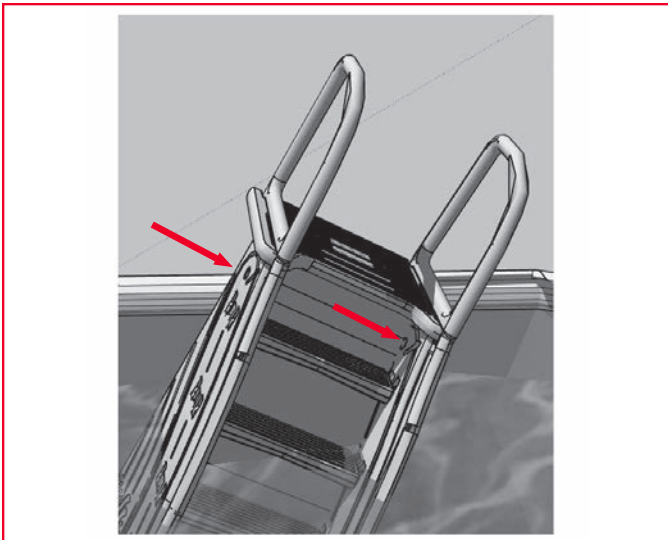


Step 4 is only for A Frame style installations.

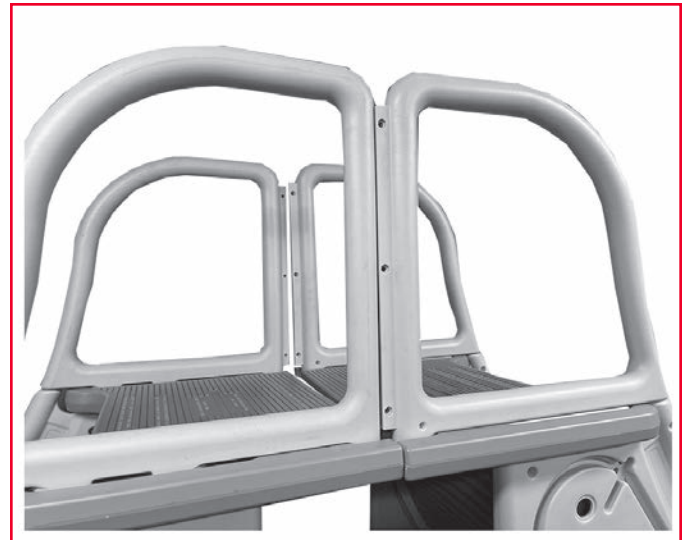
## STEP 4: Installing 2x 9300 as A Frame style

Tools needed: Screwdriver

Hardware needed: 6 1" bolts, 6 hex nuts



#1: Begin by placing your "inside" 9300 into the pool. Remove the plugs on the sidewalls and fill with a garden hose. Tip from side to side to fill with water 'til the 9300 is touching the bottom of the pool.



#2: Verify that the 9300 platform is as close to the pool top ledge as possible. Adjust extension panels if necessary. Line the handrails of each 9300 up and attach with 3 1" bolts and 3 nuts. Repeat for the other side.

**WARNING!** Using a corded drill near pool may result in electrocution.

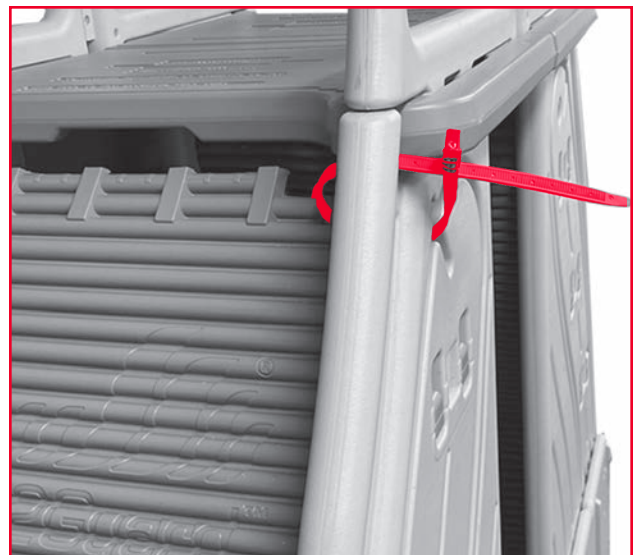
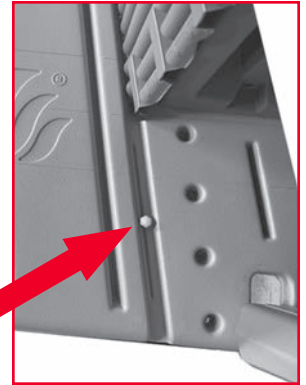
**WARNING!** The inside of the pool ladder must be positioned as close to the inside of the pool wall as possible, this will keep swimmers from going behind ladder. Do not leave a large gap between inside of pool wall and ladder.

# Operating & Securing the Tambour

To close & secure the 9300: Grasp the handle and pull the tambour down until it bottoms out. Secure by running the zip lock through the sidewall and tambour. Zip the lock through the opening between the sidewall and the handrail. Refer to the instructions included with the zip lock for setting the code and operation. Record your lock code somewhere safe.

To open the 9300: Remove the lock. Lift up the tambour and slide to open position.

Note: If the tambour is falling out of the bottom of the track, return to Step 2 for your configuration and ensure hardware is installed properly.



## Extra Parts

Depending on your final installation of your 9300, you may notice you have some extra parts: **SAVE THESE PARTS!** It is helpful to keep these parts if you need to change your configuration or installation height in the future!

When installed at 48" height, the extension risers, extension riser hardware and one standard tread will not be used



When installed in an A-Frame configuration (2x 9300s) the mounting handrail, adjustable tubes, mounting blocks, and mounting hardware will not be used.



## Safe Use

### **! WARNING**

To reduce the risk of drowning, entrapment, falls, paralysis, or other serious injury or death:

#### Use ladder properly.

- **No diving or jumping from ladder** - shallow water; risk of paralysis or death.
- FOR ENTRY/EXIT OF POOL, FACE THE LADDER AT ALL TIMES.
- ONE PERSON ON THE LADDER/STAIR AT A TIME.
- To reduce the risk of entrapment or drowning, DO NOT swim through, behind or around ladder.
- Illuminate the ladder when using the pool at night.

**Weight limit - 400 lbs maximum.** Exceeding maximum weight may cause the ladder to fail.

**Secure ladder when not in use.** When pool is not in use, pull down ROLL2GUARD to cover outside ladder treads and lock using ziplock. (See "Operating and Securing Tambour")

**Watch children at all times** when they are in or around water to help prevent drowning.

**BE SURE AND SAFE.** The manufacturer **IS NOT** responsible for improper assembly Installation and use.

**MAINTENANCE:** Check the lock for proper operation and lubricate if necessary.

**WINTERIZING:** Remove 9300 from the water. Remove the plugs and lay 9300 on its side to drain. It will take several minutes for the water to drain out of the sidewalls and treads. A small amount of water left in the ladder will not cause any damage. Replace the plugs so they won't get lost. To reinstall, refer back to your models installation instructions.

## CONFER PLASTICS INC.® FIVE YEAR WARRANTY

Confer Plastics Inc.® warrants their swimming pool ladders and spa products to be free from defects in workmanship for five years from date of purchase.

### DO NOT RETURN DEFECTIVE PART TO DEALER

E-MAIL CONFER PLASTICS® AT: [CUSTOMERSERVICE@CONFERPLASTICS.COM](mailto:CUSTOMERSERVICE@CONFERPLASTICS.COM)

A PICTURE [S] OF DEFECTIVE PART, A BRIEF DESCRIPTION OF PROBLEM,  
PROOF OF PURCHASE AND YOUR CONTACT INFORMATION.

INFORMATION MAY ALSO BE FAXED TO CONFER PLASTICS AT: **716-694-3102**  
OR MAILED TO THE ADDRESS BELOW. UPON REVIEW OF THE INFORMATION YOU  
WILL BE NOTIFIED IF PART IS COVERED UNDER THE WARRANTY AND  
THE SHIPPING/HANDLING CHARGES.

*This warranty gives you specific legal rights, and you may also have other rights which may vary from state to state.*

**Confer Plastics Inc.®, 97 Witmer Road, North Tonawanda, N.Y. 14120-2421**

PROUDLY MADE IN THE U.S.A. by:



**CONFER**  
*plastics inc.®*

Printed in U.S.A.

97 Witmer Road  
North Tonawanda, New York 14120-2421  
Toll Free U.S./CANADA 800-635-3213  
[www.conferplastics.com](http://www.conferplastics.com)