

**SAVE THESE INSTRUCTIONS**  
DEALER/INSTALLER: GIVE TO HOMEOWNER

**MODEL #8000**  
**GROUND TO DECK LADDER**  
(FOR USE ONLY WITH CONFER PLASTICS' ITEM #STEP-1)  
FITS 48" TO 54" POOLS  
**ASSEMBLY AND INSTALLATION MANUAL**

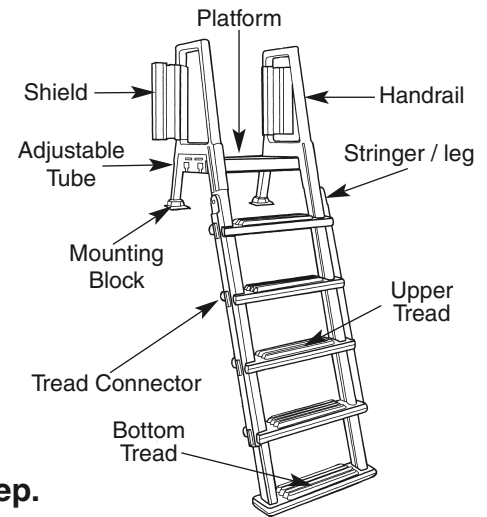


Made in U.S.A. by

**CONFER**  
*plastics inc.*  
[www.conferladders.com](http://www.conferladders.com)

# Model # 8000 Ground-to-Deck Ladder

PARTS LIST		HARDWARE PACK		TOOLS REQUIRED FOR ASSEMBLY:
Qty.	Description	Qty.	Description	
2-	Handrails	38-	#10 x 1-1/4" Screw	* Cordless Drill Motor * 1/8" Drill Bit * Utility Knife * Liquid Soap or Spray Lubricant * Phillips Screwdriver or screwdriver bits
2-	Stringers / Legs	2-	1/4-20 x 3-1/2" Bolt	
4-	Upper Treads	2-	1/4" Washer	
1-	Bottom Tread	2-	1/4-20 Nylon Nut	
2-	Shields	2-	Adjustable Tubes	
2-	Tread Connector (RH & LH)	2-	Mounting Blocks	
1-	Platform (wedges attached) see Step #2.	1-	Cable Lock	



**Note: Assemble this ladder before assembling the #Step-1 Confer Step. If you have already assembled the Confer-Step it will be necessary to remove the handrails (see step #10).**

### Step 1.

Force stringers into bottom tread pockets so they lock into place.

Make sure the single row of tread lugs are facing forward.

### Step 2.

Two sets of Lug locations are provided on each of the stringers. Slide the four treads into the upper set of lugs on each of the stringers. Secure the uppermost tread only, by driving a #10 x 1-1/4" screw through the pre-drilled end of the tread.

Secure the uppermost tread only to stringers

Stringers

Tread Lugs

Position all 4 treads in upper lug locations only. Do not position tread in lower location.

x4

### Step 3.

Position the tread connectors (One left, one right) on the ends of the treads and fasten to the stringers using the 1/4-20 x 3-1/2" bolt, washer and nylon nut. Do not over-tighten. Fasten the tread connectors to the ends of the treads, except the uppermost tread, by driving two #10 x 1-1/4" screws through the pre-formed holes in the tread connector and into the end of the treads.

Stringers

Secure tread connectors to stringers using 1/4-20 x 3-1/2" bolt washer and nylon nut

Do NOT secure tread connectors to uppermost step

Secure Tread connectors to Treads. Note: Treads should be in position on ladder before connecting.

### Step 4.

Detach the 4 wedges from the end of the protrusions by twisting them off and save for use in step 5. (It may be necessary to use a utility knife to assist in removal).

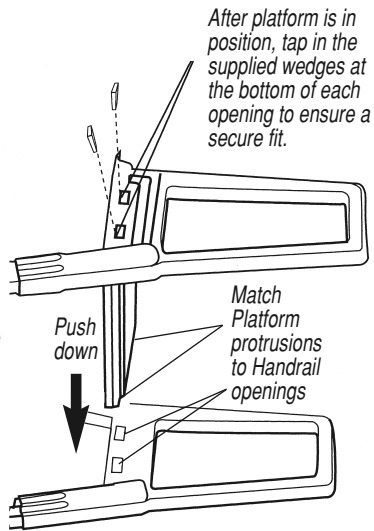
Detach Wedges

Wedges

Protrusion

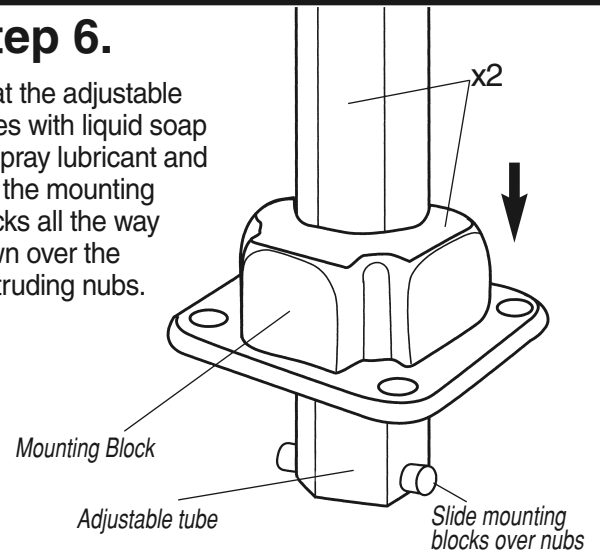
## Step 5.

Assemble the platform to the handrails by laying one of the handrails on a clean hard surface. Push the protrusion of the platform into the openings of the handrail making sure that the legs of both handrails are facing in the same direction. Tap the 4 wedges (from step 4) into the sides of the handrails to secure the platform to the rails.



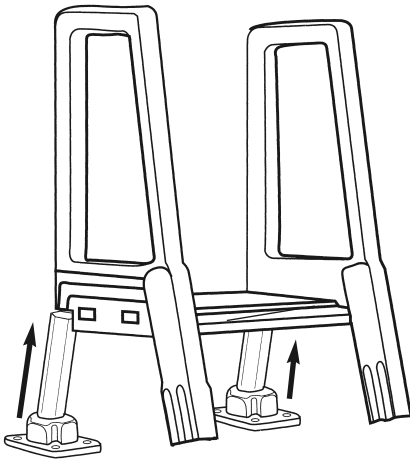
## Step 6.

Coat the adjustable tubes with liquid soap or spray lubricant and slip the mounting blocks all the way down over the protruding nubs.



## Step 7.

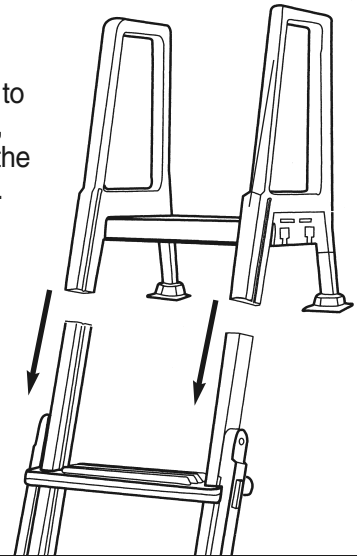
Push the adjustable tubes with mounting blocks into handrails.



## Step 8.

Attach the handrails to the ladder assembly, making certain that the treads face correctly.

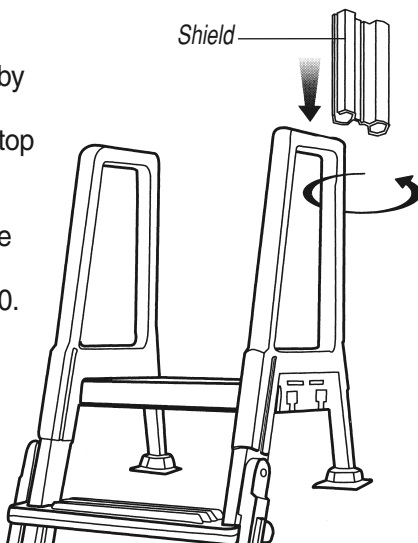
Note: Coat the ends of the stringers with liquid soap or spray lubricant before sliding handrails into position.



## Step 9.

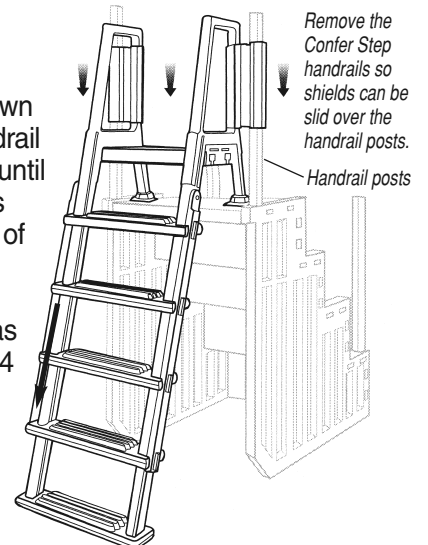
Attach the shield by sliding the shield opening over the top of each handrail. Push down into position and rotate 90° outward as appears in step 10.

Note: Carefully spread open shield to slide over handrail.



## Step 10.

Slide the shields down over the upper handrail posts of the Step 1 until the mounting blocks rest on the top step of the Confer-Step as shown in diagram. Replace handrails as shown in diagram #4 of the Confer-Step instructions.

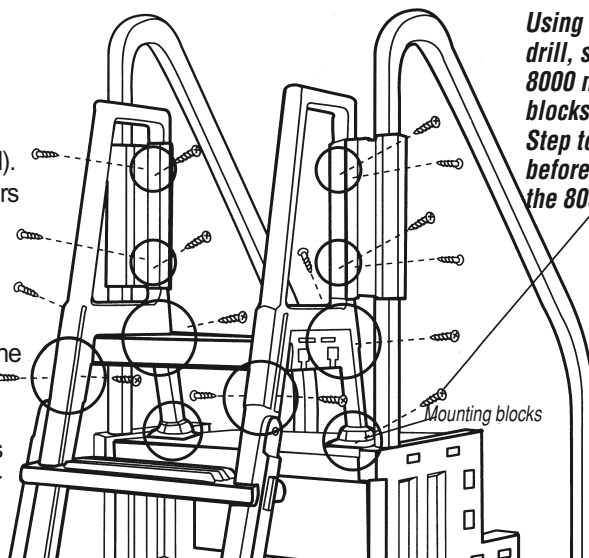


## Step 11.

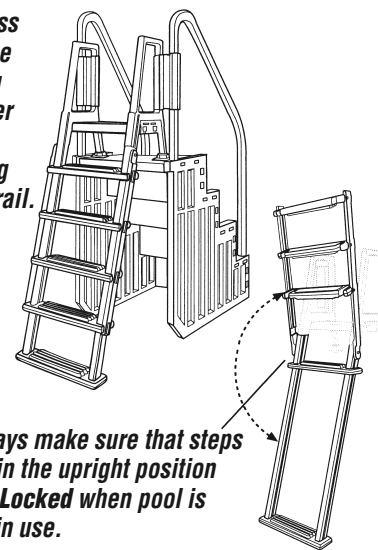
Secure the 8000 ladder to the platform using four #10 x 1-1/4" screws per mounting block (8 total). Fasten the handrails to the stringers using two #10 x 1-1/4" screws at the pre-marked locations on each handrail (4 total).

Secure the tubes to the handrails using two #10 x 1-1/4" screws at the pre-marked locations on each handrail (4 total).

Fasten the shields to the handrails using four #10 x 1-1/4" screws per shield (8 total).



*Using a cordless drill, secure the 8000 mounting blocks to Confer Step top step before securing the 8000 handrail.*



*Always make sure that steps are in the upright position and Locked when pool is not in use.*

**Note: always swing up and secure outer steps when not in use.**

## SAFETY RULES

- Locate ladder on a solid base
- One person on the ladder at a time
- Ladder **MUST** be installed per manufacturer's instructions
- **DANGER:** No jumping or Diving from ladder.
- Face ladder when entering and leaving pool
- To prevent entrapment or drowning - **DO NOT** swim through, behind or around ladder
- Ladder to be used as a swimming pool ladder only
- Weight Limit - **350 lbs. maximum**
- **WARNING:** Exceeding the maximum weight restriction may cause ladder to fail.
- Consult your local Building Department before installation of your pool and equipment.
- **DANGER:**  
*Use a cordless drill for assembly and installation. NEVER use an electric drill in or around the pool.*

## CONFER PLASTICS, INC. LIMITED, PRO-RATED WARRANTY

Confer Plastics, Inc. warrants their swimming pool ladders to be free from defects in workmanship for one year from date of purchase. After the first year the cost to replace a part is as follows:

### MODEL 8000:

2 <sup>nd</sup> Year - 20%	} of current parts list price
3 <sup>rd</sup> Year - 40%	
4 <sup>th</sup> Year - 60%	
5 <sup>th</sup> Year - 80%	

Plus shipping/handling charges

### **DO NOT RETURN DEFECTIVE PART TO DEALER**

The defective part should be returned, postpaid, to:  
Confer Plastics, Inc.  
97 Witmer Road  
North Tonawanda, N.Y. 14120-2421

Enclose proof-of-purchase (receipts, etc.) showing date purchased, your name, address, and daytime phone number. You will be notified of cost to replace part.

This warranty gives you specific legal rights, and you may also have other rights which may vary from state to state.

MADE IN THE U.S.A. by:



**CONFER**  
*plastics inc.*

97 Witmer Road  
North Tonawanda, New York 14120-2421  
Toll Free U.S. 866-396-2968  
716-283-1826/ FAX 716-283-3249  
[www.conferladders.com](http://www.conferladders.com)